

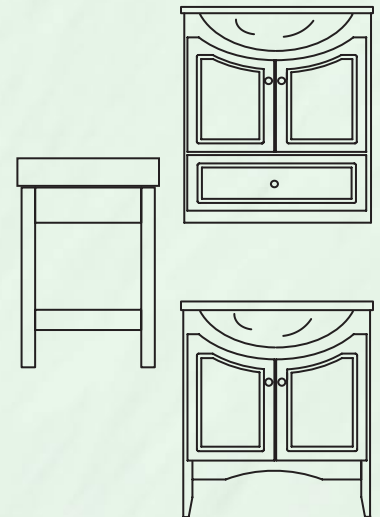


CAUTION!

Always remove drawers and doors from your cabinets during installation and store them away from the work area. This will make your cabinets lighter, easier to move and position, and safer to handle. Plus, drawer and door faces will be protected from damage during installation.

Drawers and doors open when you don't expect it and unbalance the cabinet while you are moving it, causing injury or damage.

Damage caused during installation is not covered by warranty.



Installing EuroLav Sets

EuroLav sets are comprised of a base and a top.

Installing a EuroLav Style base is as simple as placing the cabinet in place and leveling with its Adjustable Foot Levelers (Furniture and Pura style) or shims (Cabinet style).

Place the basin top onto the base and check for fit against the wall. There is "play" intentionally built into the base-to-top fit allowing movement to get the best top-to-wall fit. Most likely, you will need to adjust the fit by shimming between the top and the base for the best fit. Check also that the top is level and shim accordingly. Once you are satisfied with the fit and positioning, we recommend applying Silicone type bathroom caulk to make a permanent bond between basin and base.

We recommend screwing Vanities to a wall stud. Shim if necessary between wall and cabinet if the wall is not exactly straight or plumb, or if the base is not against the wall with proper basin top wall fit.



Adjustable
Foot Leveler
on all Furniture
style and Pura
style EuroLavs.

Cleaning

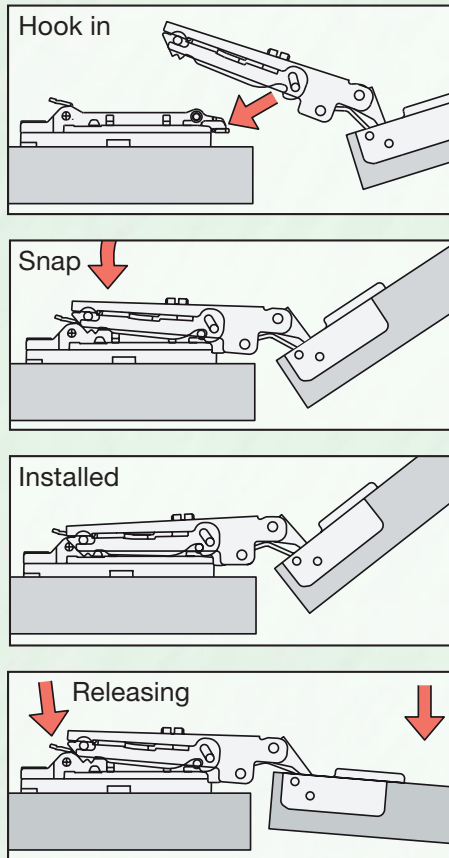
Use only a damp cloth to clean your Bath Cabinets.

Never use abrasive cleansers on any part of your Bath Cabinet and use only a soft cloth, never a scouring sponge.

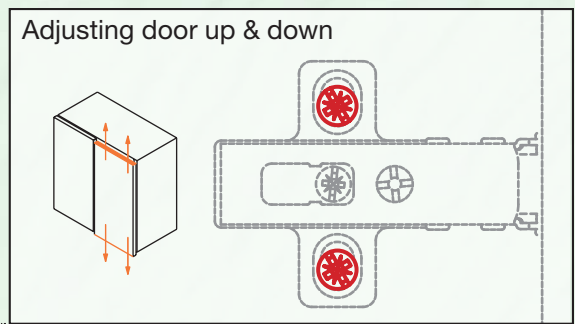
Never use bleach, solvents (like nail polish remover), or harsh cleaners on your cabinets.

6-Way Adjustable Hinges

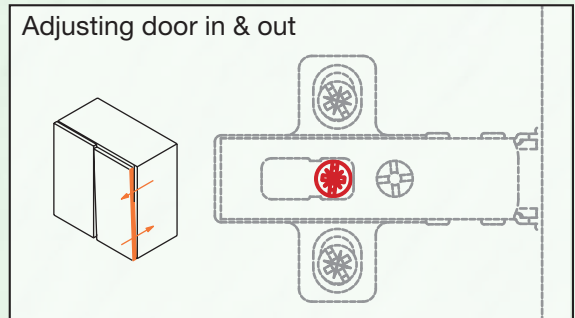
Installing, removing, and adjusting your Cabinet doors is easy with our 6-way adjustable hinges.



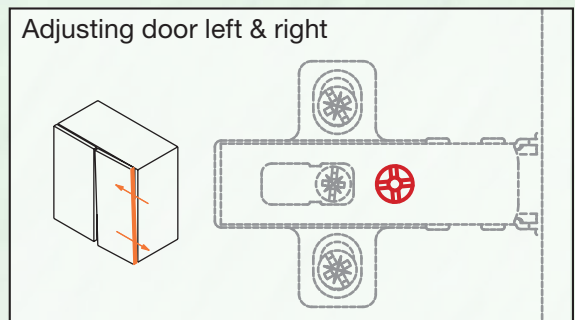
Loosen indicated screws on both hinges to adjust door up/down. **Never** adjust one hinge without also adjusting the other hinge.



Simply turn indicated screw to adjust door in/out.

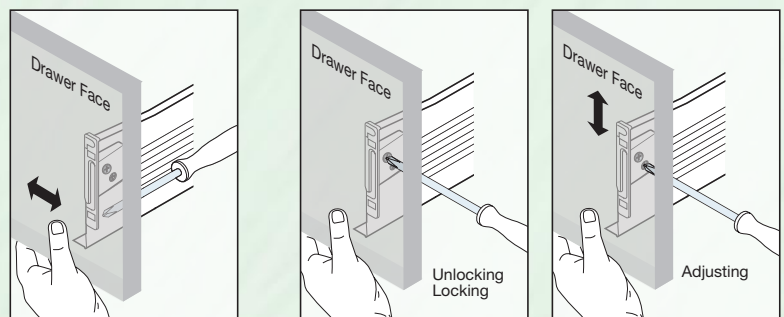


Simply turn indicated screw to adjust door left/right.



Drawer Face Adjustment

Loosen the four drawer guide mounting screws and adjust drawer face sideways. To raise, lower, or level drawer face loosen locking screw(s) and turn adjusting screw(s), on either side or both. Remember to tighten the locking screw when done.



If you have questions, don't hesitate to call our Customer Service
Toll Free 1-800-445-0494, 7AM-4PM Pacific Coast Time.

Thank you for purchasing Strasser Woodenworks Products for your bath.

Crafted in USA. Lasting a Lifetime.

