

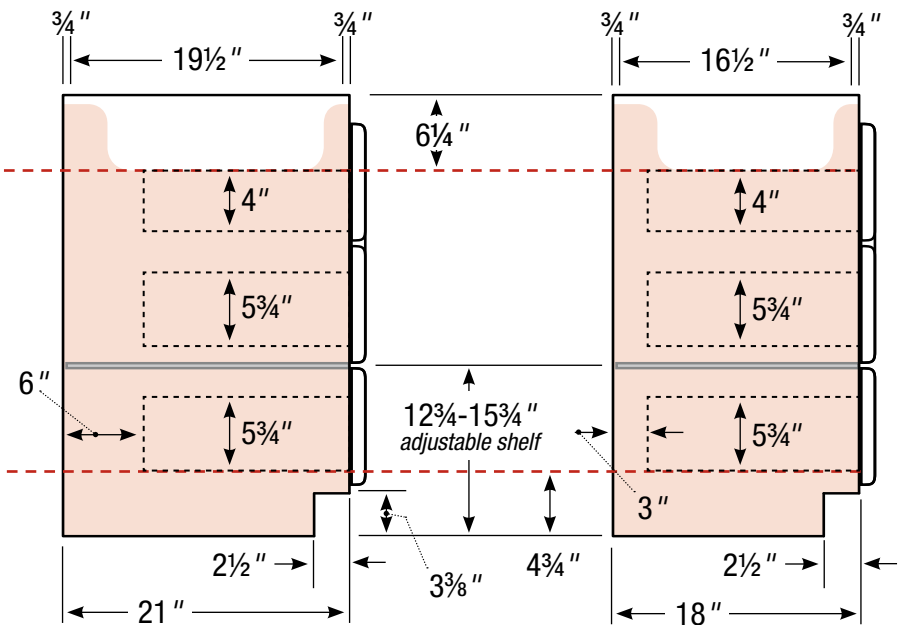
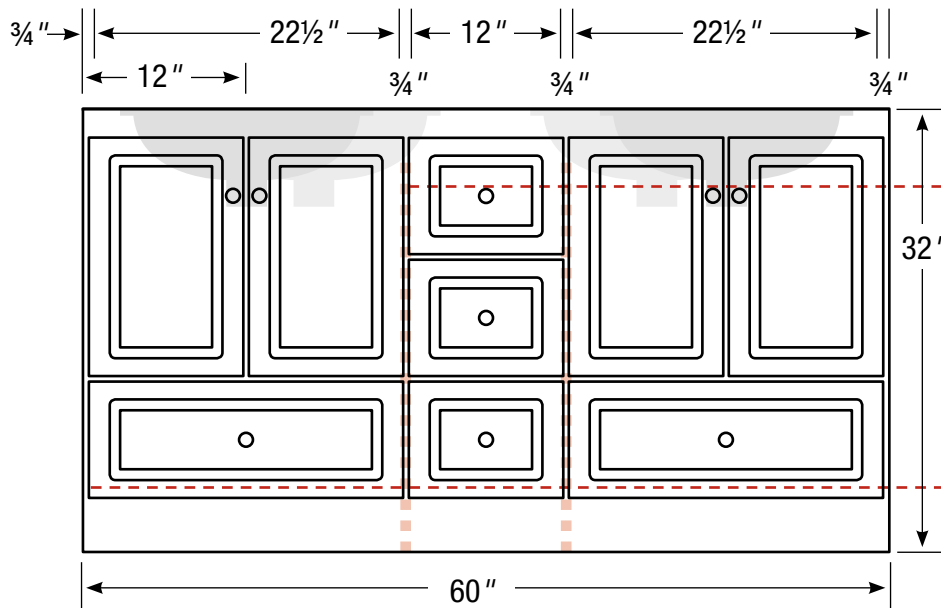
SPECIFICATION VARIANCES

Dimensions on finished vanities may vary slightly from those shown on these specification sheets due to variability in construction materials.

Our products are engineered to maintain close dimensional tolerances but variability in manufacturing materials can change dimensions slightly (normally within $\pm 1/8$ " but occasionally up to $\pm 3/16$ ").

In most applications these slight variations will have no impact upon installation, appearance, or function. However, when planning and finishing a space for a built in vanity, **do not frame or finish the space before measuring the actual cabinet!**

We can not be responsible for any expenses incurred as a result of the end user or contractor not following this guideline.



Basin placement range varies with brand and model.
Shown is for Kohler 2210.

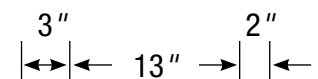
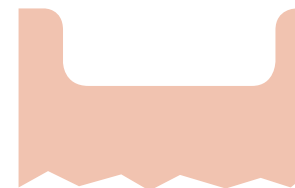
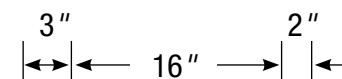
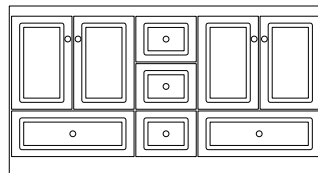
21" or 18" front-to-back option

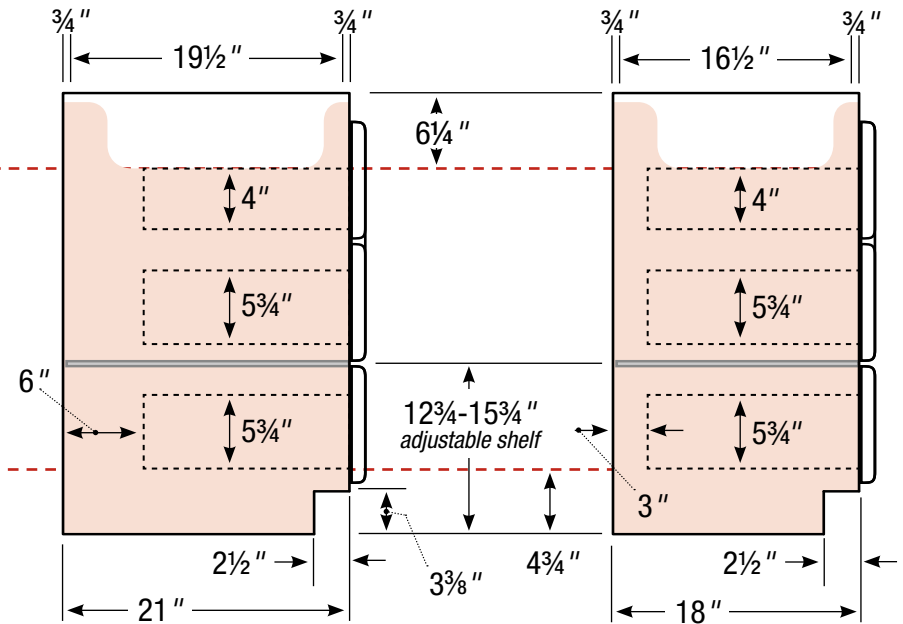
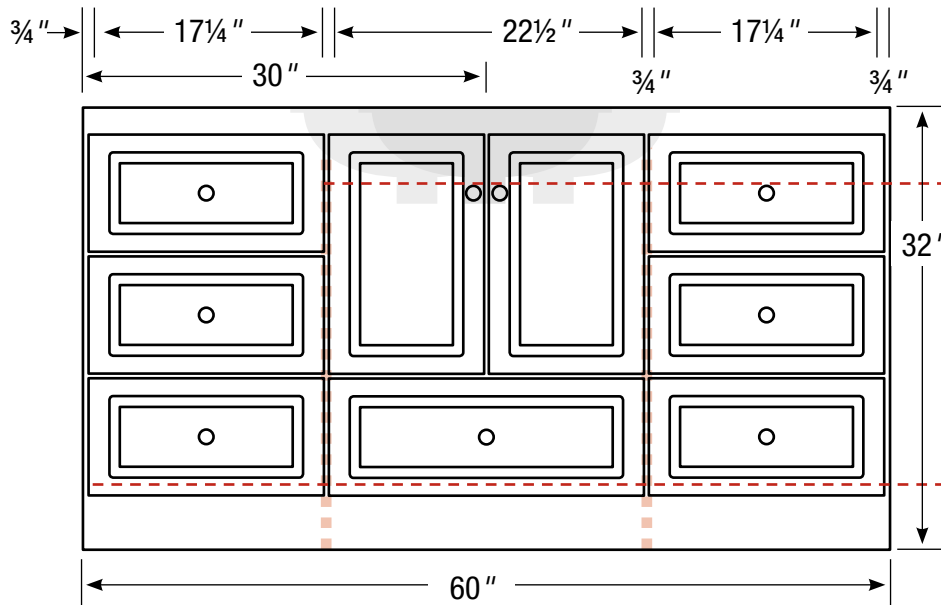
Internal Dividers ■■■■■■

Internal Dividers

60" Vanity

Double Basin
60" wide
32" tall
21" or 18" front-to-back





Basin placement range varies with brand and model.
Shown is for Kohler 2210.

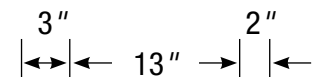
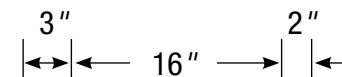
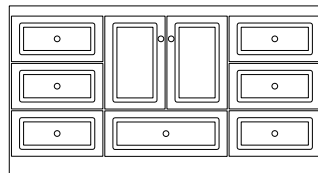
21" or 18" front-to-back option

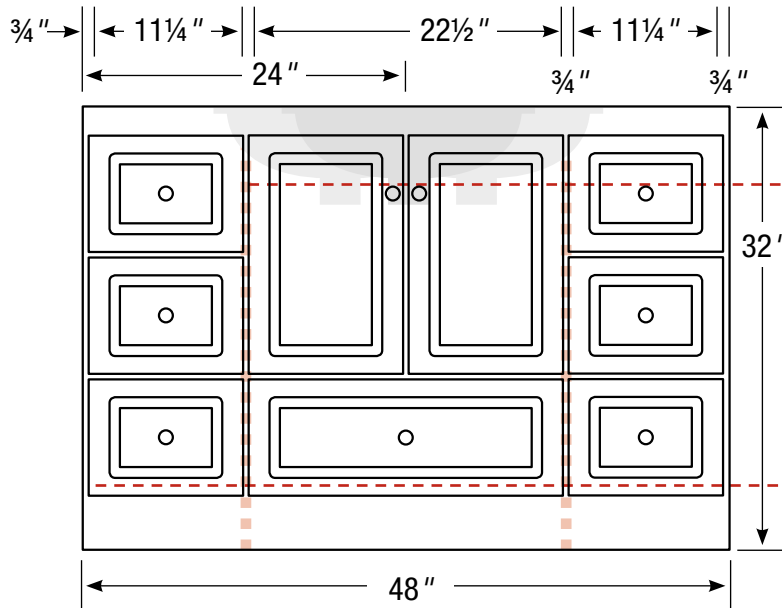
Internal Dividers ■■■■■■

Internal Dividers

60" Vanity

Center Basin
60" wide
32" tall
21" or 18" front-to-back



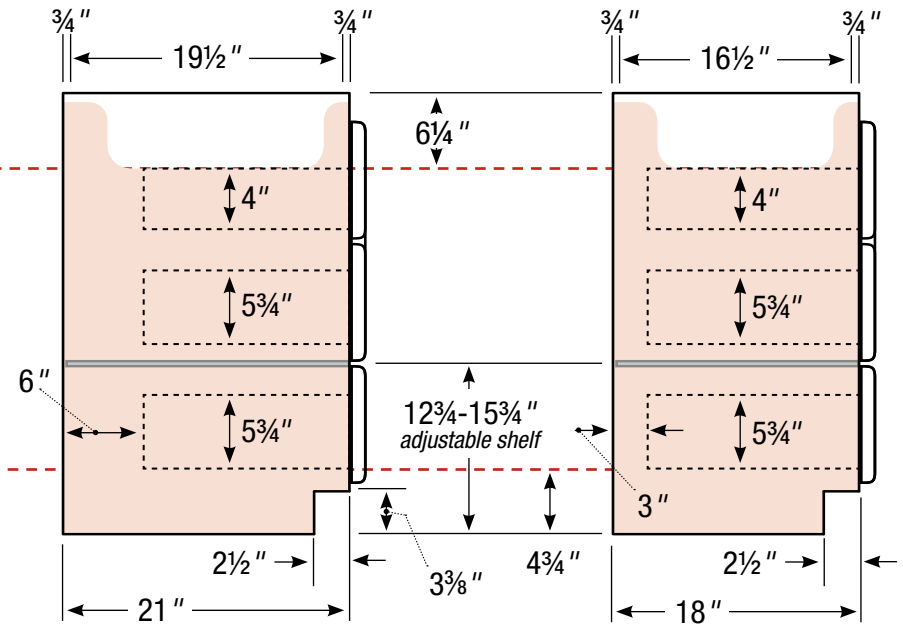
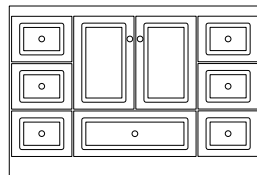


Basin placement range varies with brand and model.
Shown is for Kohler 2210.

Internal Dividers ■■■■■■

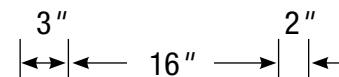
48" Vanity

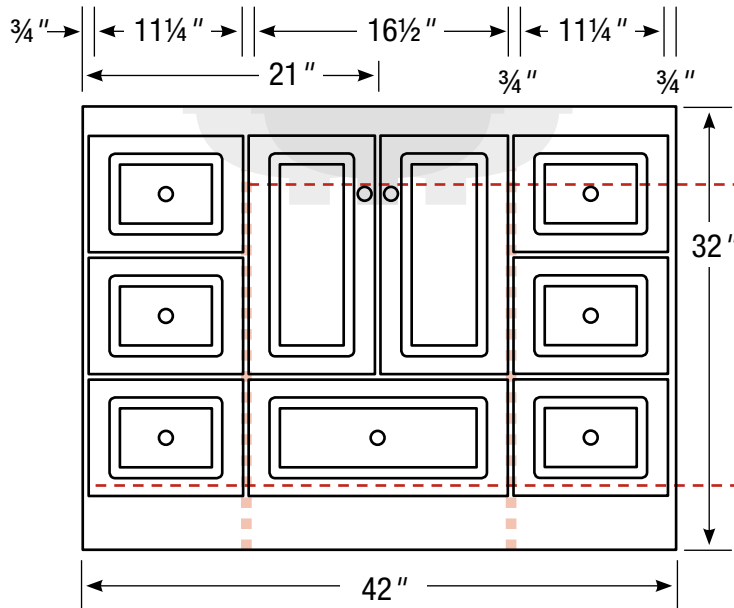
48" wide
32" tall
21" or 18" front-to-back



21" or 18" front-to-back option

Internal Dividers ■■■■■■



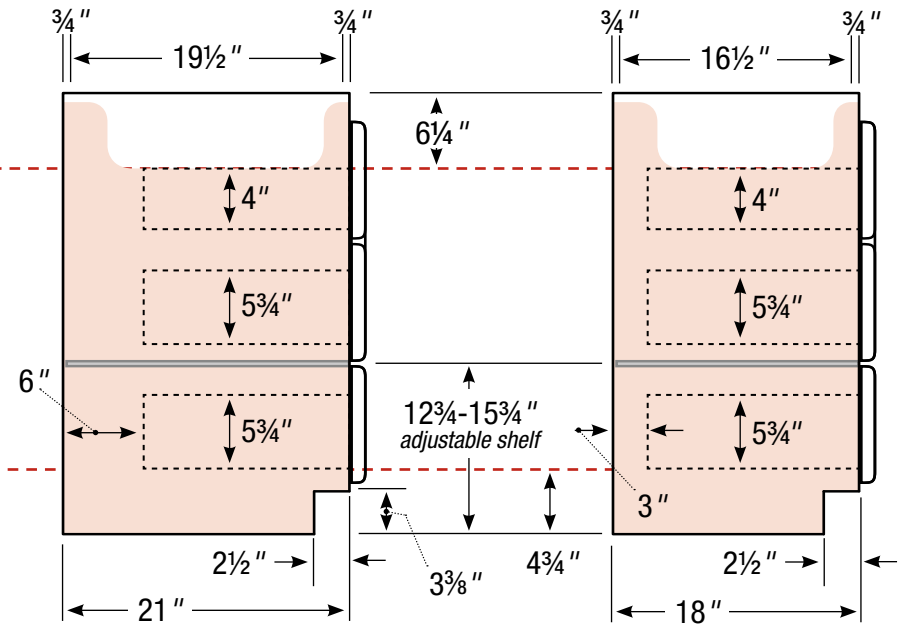
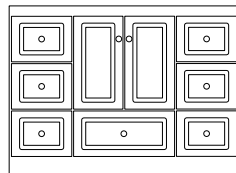


Basin placement range varies with brand and model.
Shown is for Kohler 2210.

Internal Dividers ■■■■■■

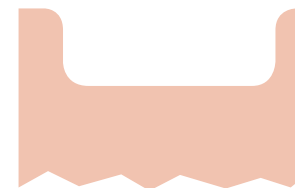
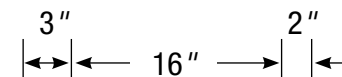
42" Vanity

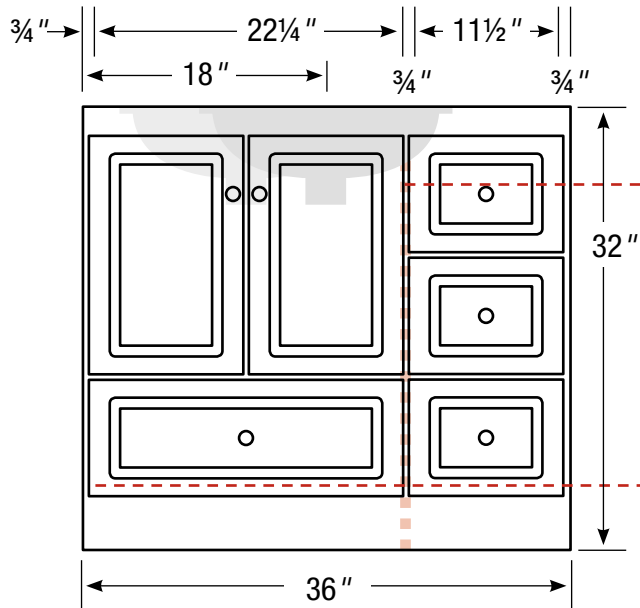
42" wide
32" tall
21" or 18" front-to-back



21" or 18" front-to-back option

Internal Dividers



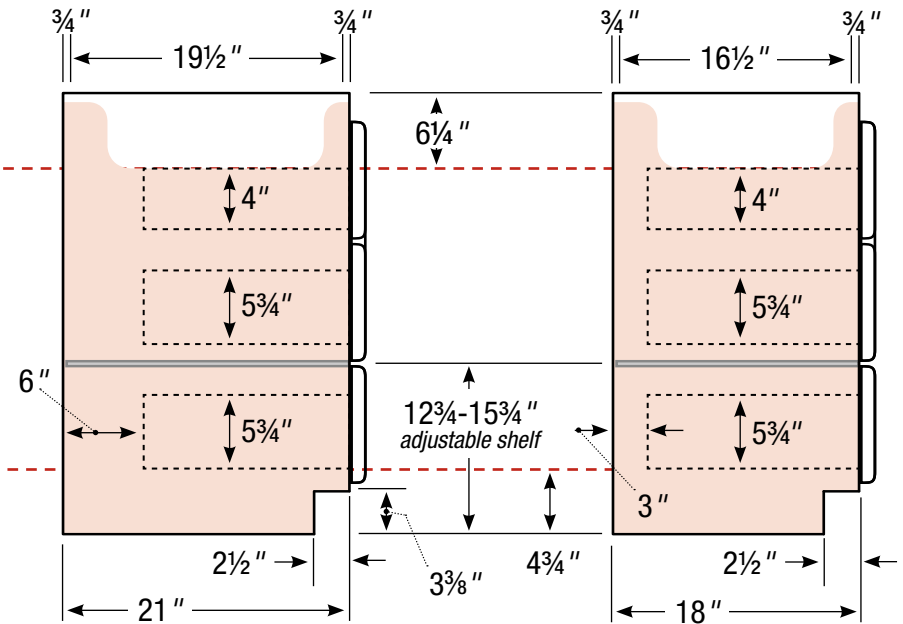
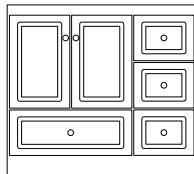


Basin placement range varies with brand and model.
Shown is for Kohler 2210.

Internal Dividers ■■■■■■

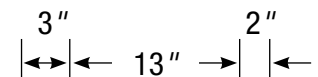
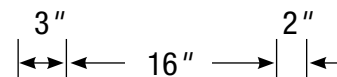
36" Vanity

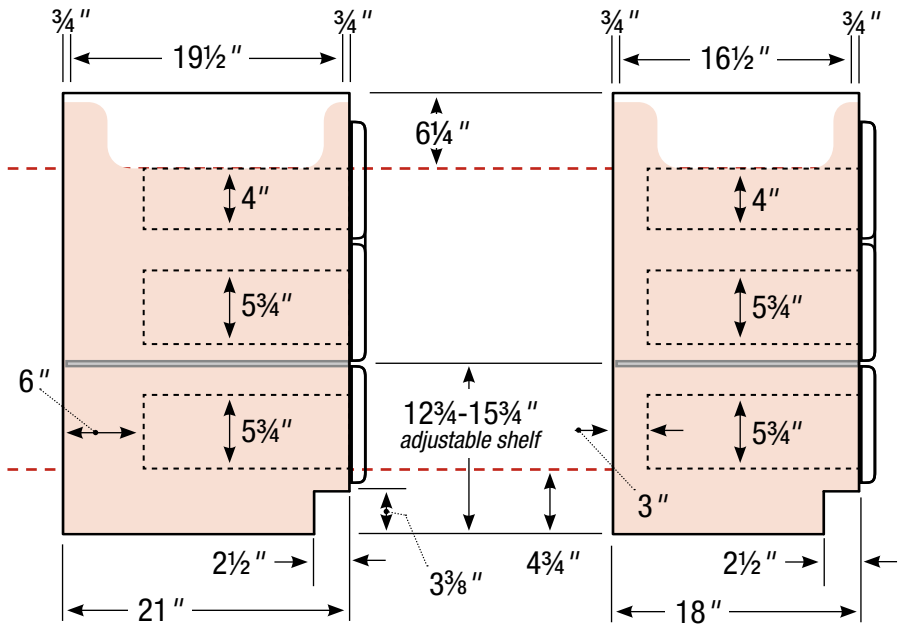
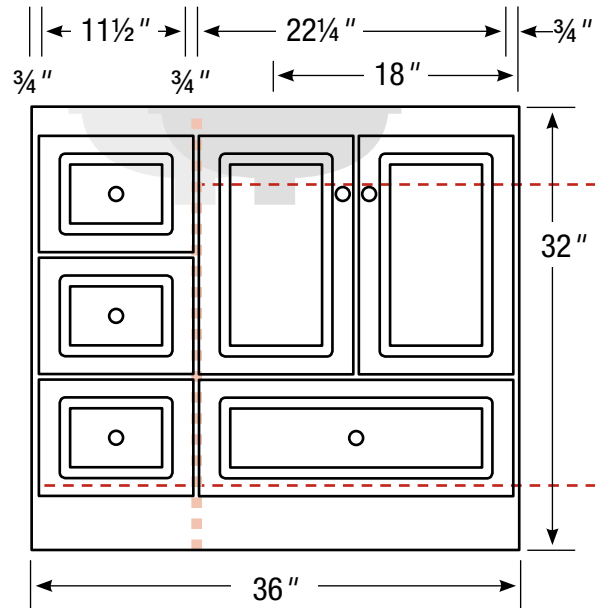
Right Hand or Left Hand Drawers
36" wide
32" tall
21" or 18" front-to-back



21" or 18" front-to-back option

Internal Dividers





Basin placement range varies with brand and model.
Shown is for Kohler 2210.

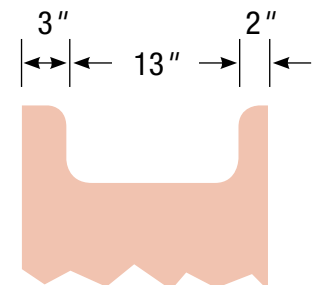
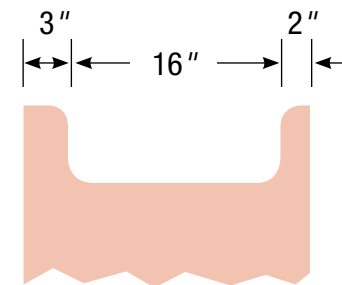
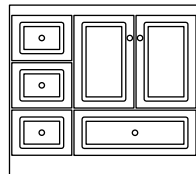
21" or 18" front-to-back option

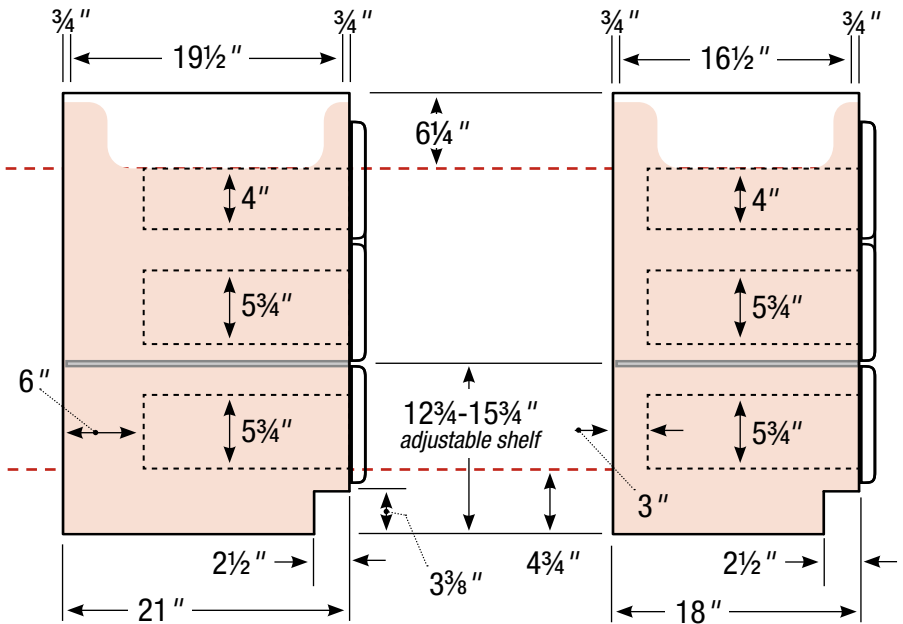
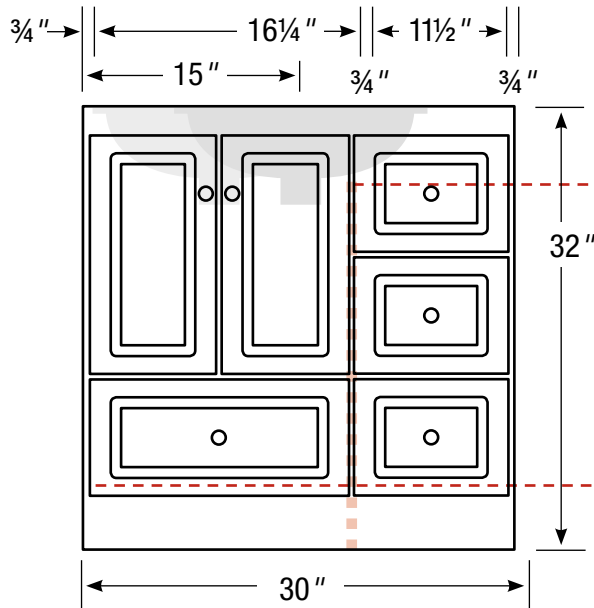
Internal Dividers ■■■■■■

Internal Dividers

36" Vanity

Right Hand or Left Hand Drawers
36" wide
32" tall
21" or 18" front-to-back





Basin placement range varies with brand and model.
Shown is for Kohler 2210.

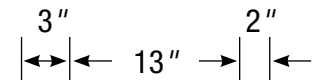
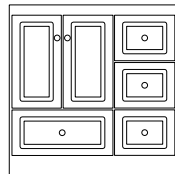
21" or 18" front-to-back option

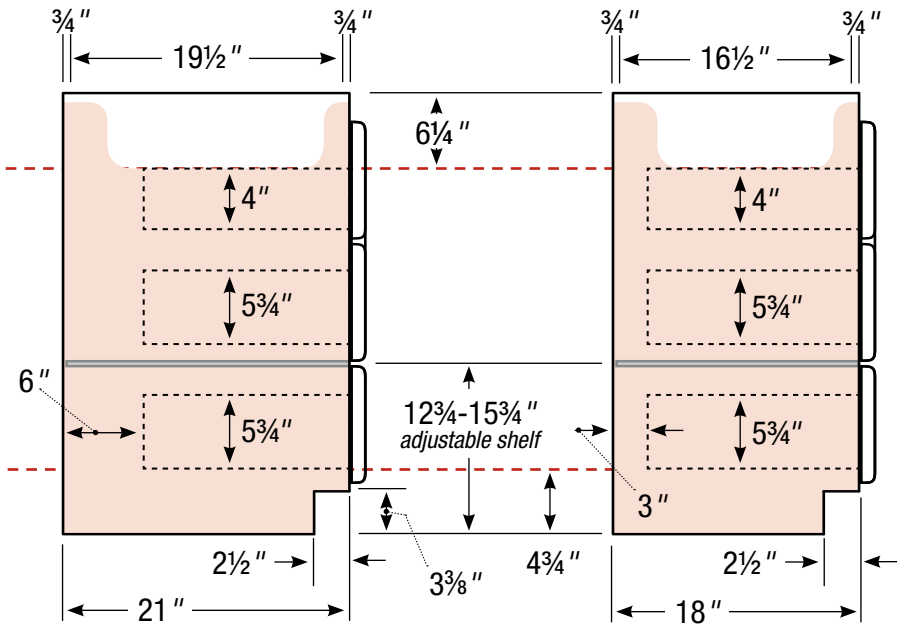
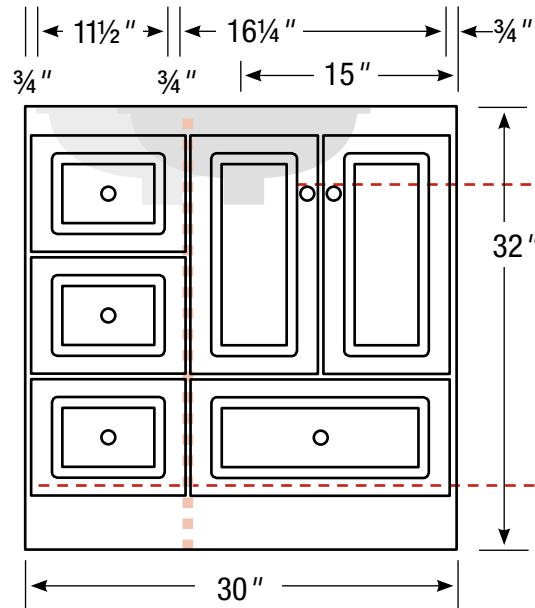
Internal Dividers ■■■■■■

Internal Dividers

30" Vanity

Right Hand or Left Hand Drawers
30" wide
32" tall
21" or 18" front-to-back





Basin placement range varies with brand and model.
Shown is for Kohler 2210.

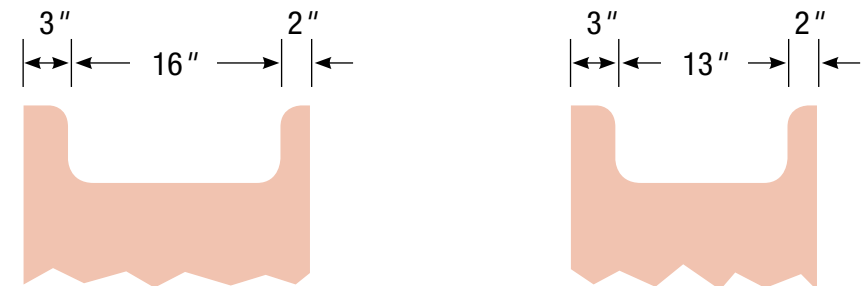
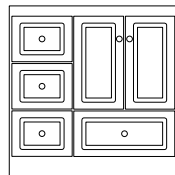
21" or 18" front-to-back option

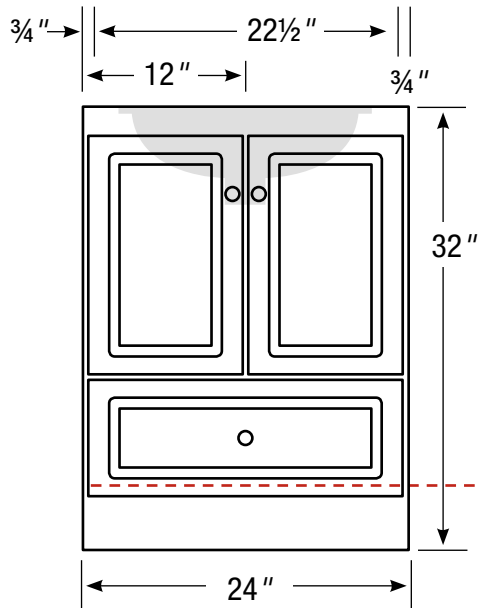
Internal Dividers ■■■■■■

Internal Dividers

30" Vanity

Right Hand or Left Hand Drawers
30" wide
32" tall
21" or 18" front-to-back

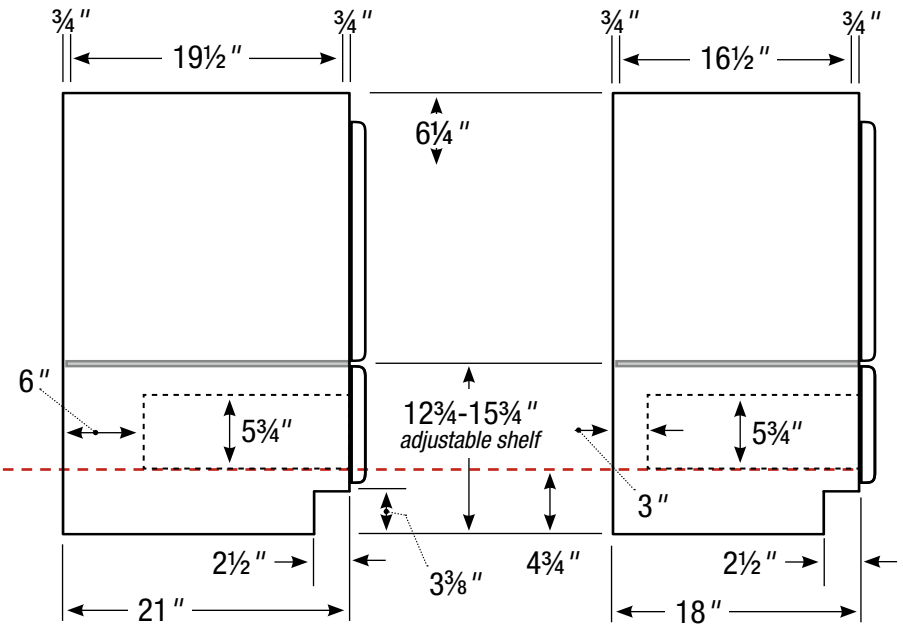
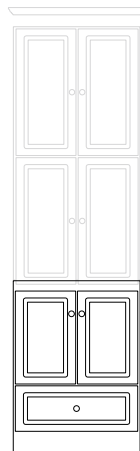
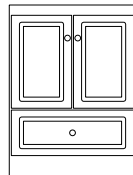




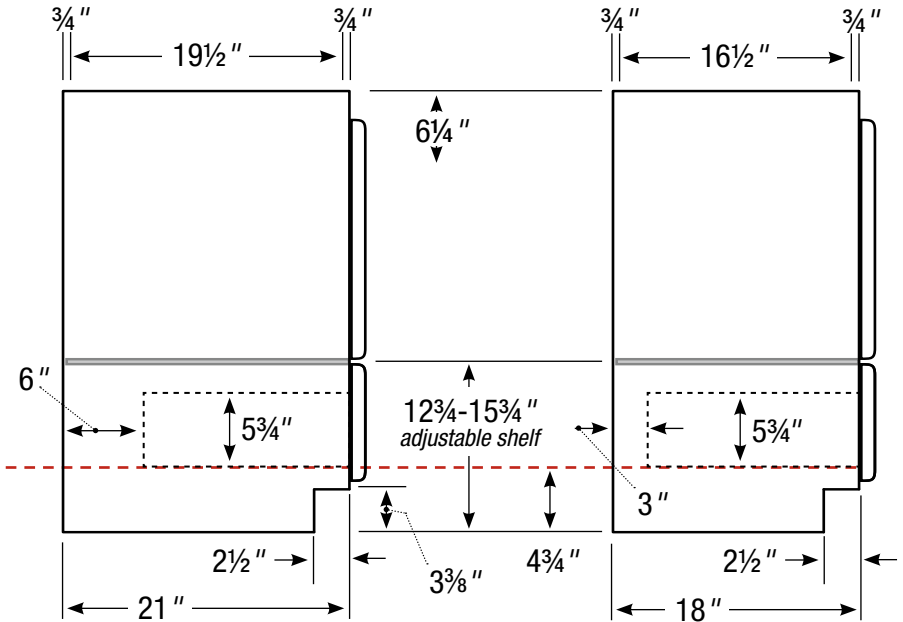
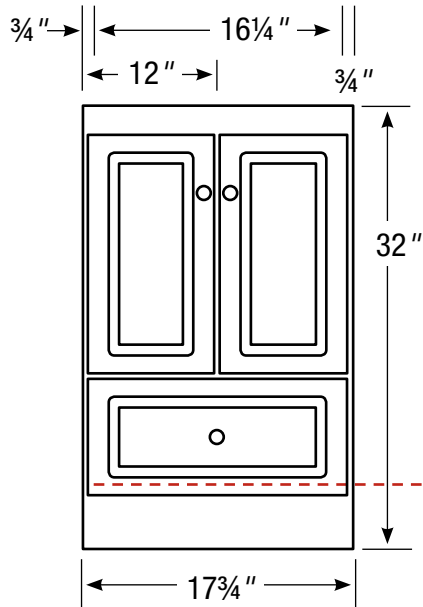
Basin placement range varies with brand and model. Shown is for Kohler 2210.

24" Vanity / Linen Lower

24" wide
32" tall
21" or 18" front-to-back



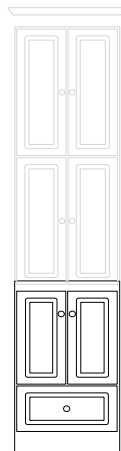
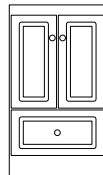
21" or 18" front-to-back option

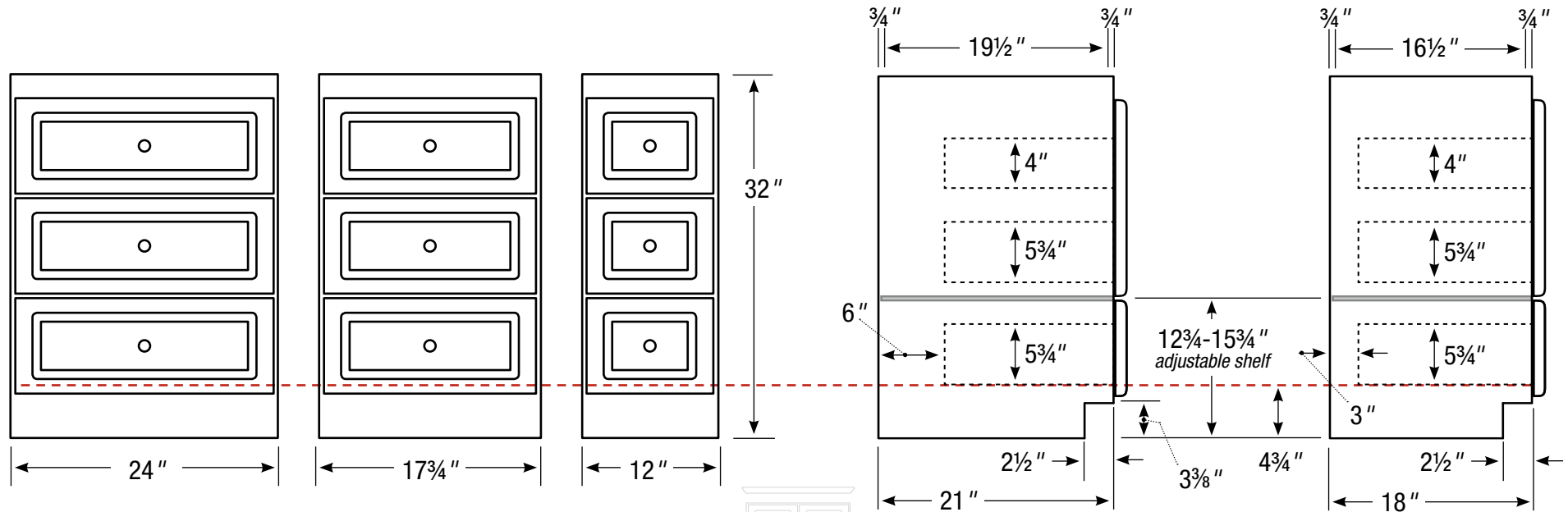


21" or 18" front-to-back option

18" Vanity / Linen Lower

17 3/4" wide
32" tall
21" or 18" front-to-back



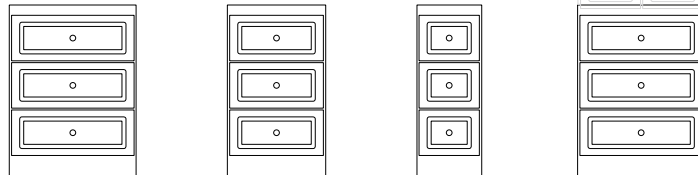


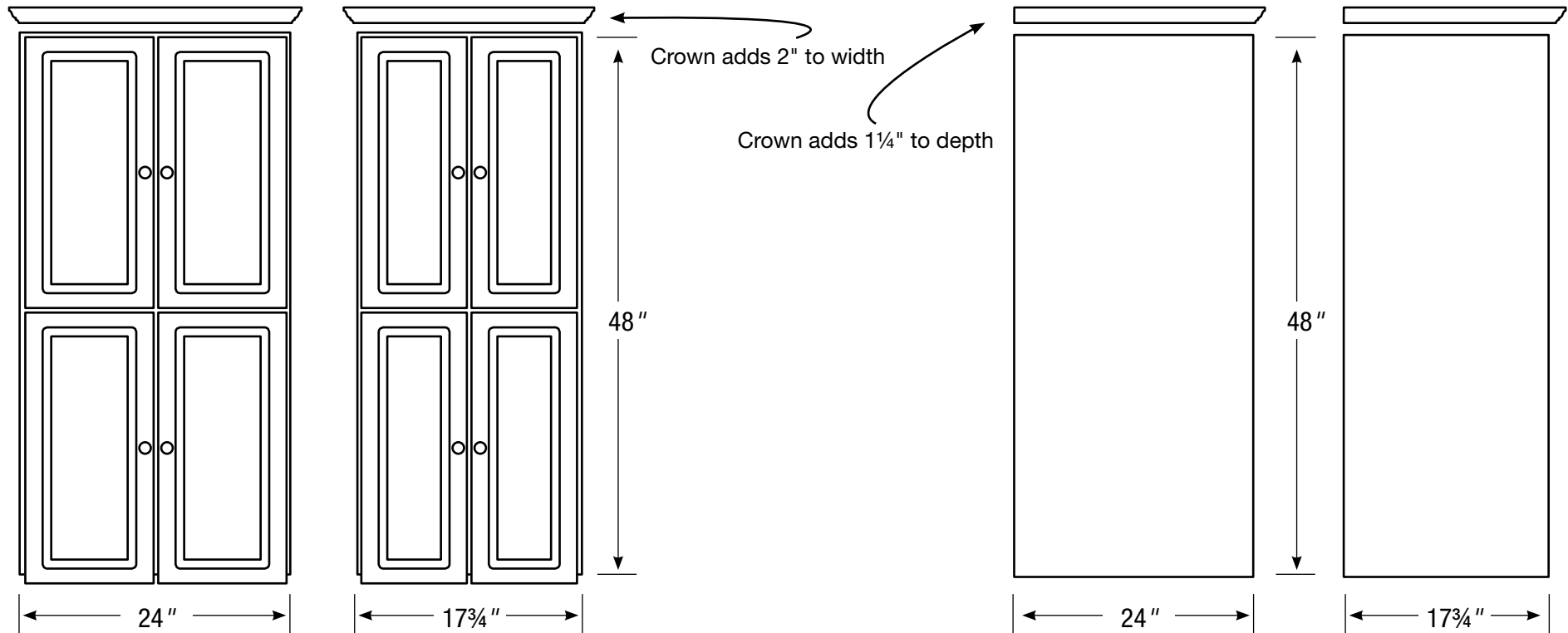
21" or 18" front-to-back option

Internal Dividers

24" & 18" Drawer Banks / Linen Lower; 12" Drawer Bank

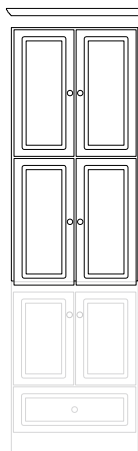
24", 17³/₄", 12" wide
32" tall
21" or 18" front-to-back





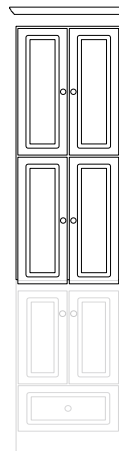
24" Linen Upper

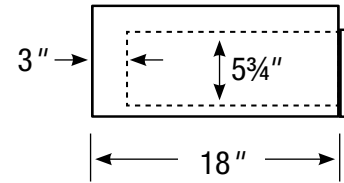
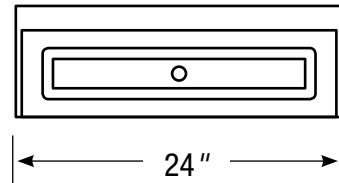
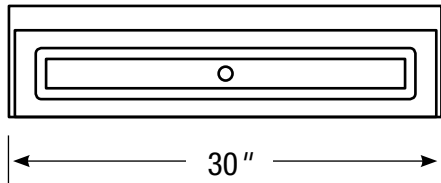
24" wide
48" tall
21" or 18" front-to-back



18" Linen Upper

17 3/4" wide
48" tall
21" or 18" front-to-back





30" or 24" Knee Drawers

30" or 24" wide

8" tall

18" front-to-back

(to fit either 21" or 18" deep sets)

