

## Specification Sheets for The Simplicity line of bath vanities by Strasser Woodenworks.

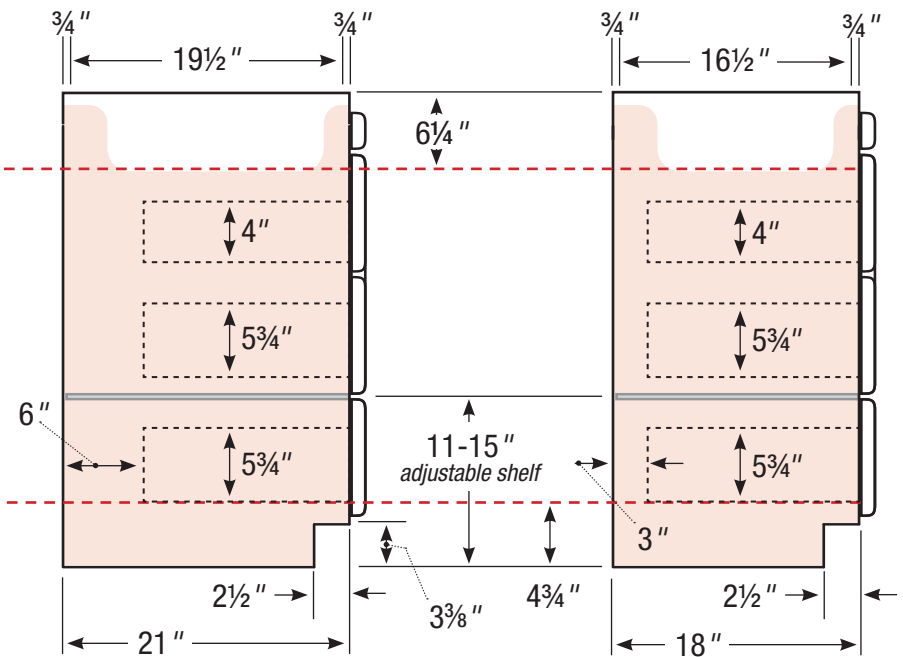
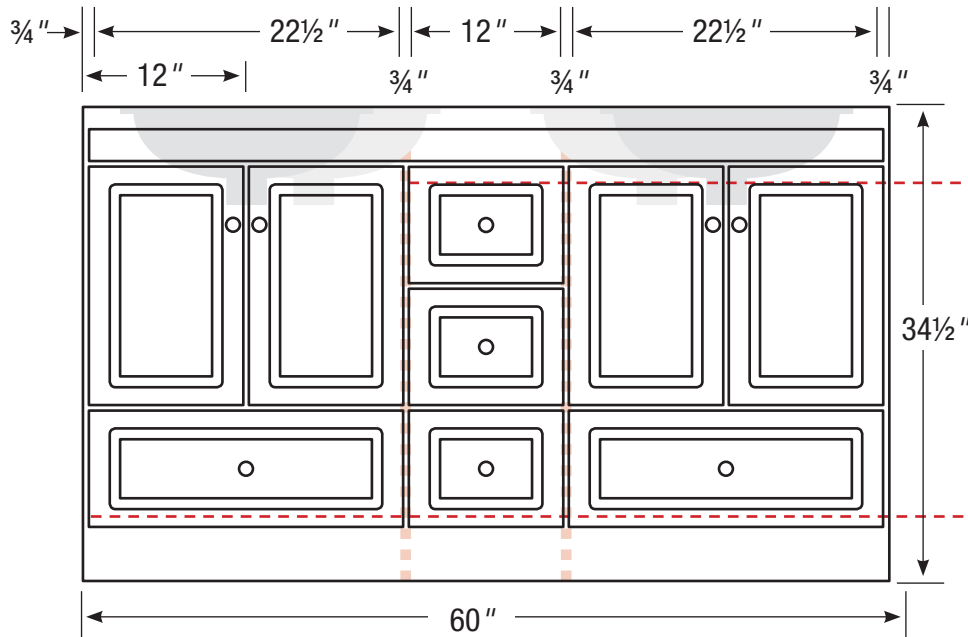
### SPECIFICATION VARIANCES

Dimensions on finished vanities may vary slightly from those shown on these specification sheets due to variability in construction materials.

Our products are engineered to maintain close dimensional tolerances but variability in manufacturing materials can change dimensions slightly (normally within  $\pm 1/8$ " but occasionally up to  $\pm 3/16$ ").

In most applications these slight variations will have no impact upon installation, appearance, or function. However, when planning and finishing a space for a built in vanity, **do not frame or finish the space before measuring the actual cabinet!**

We can not be responsible for any expenses incurred as a result of the end user or contractor not following this guideline.



21" or 18" front-to-back option

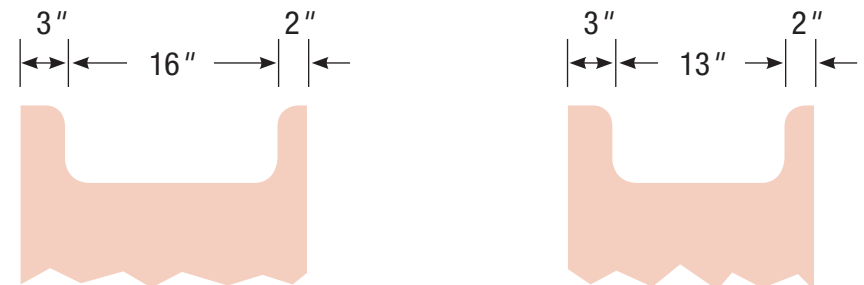
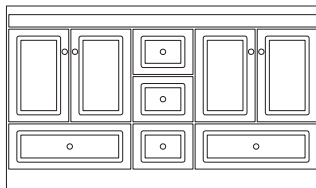
Basin placement range varies with brand and model.  
Shown is for Kohler 2210.

Internal Dividers ■■■■■■

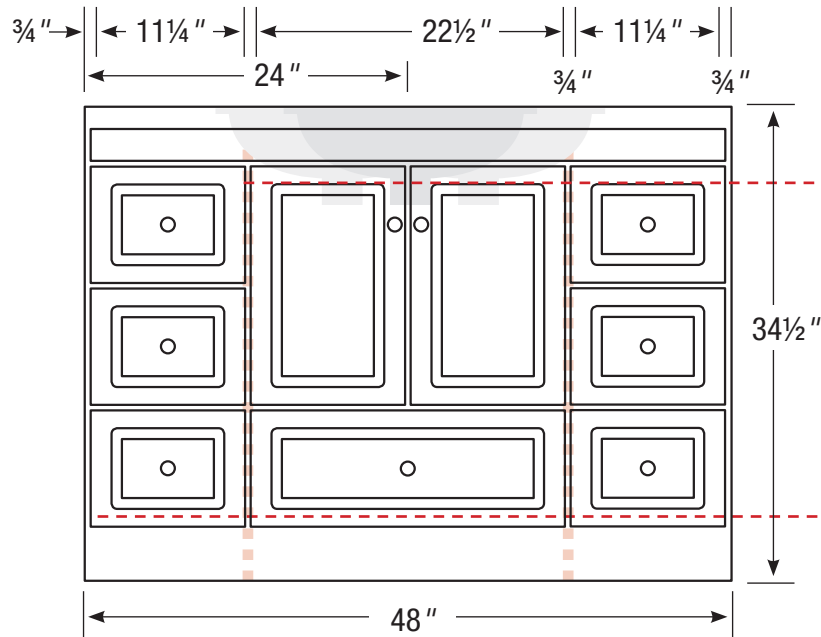
Internal Dividers

**60" Vanity**

Double Basin  
60" wide  
34 1/2" tall  
21" or 18" front-to-back





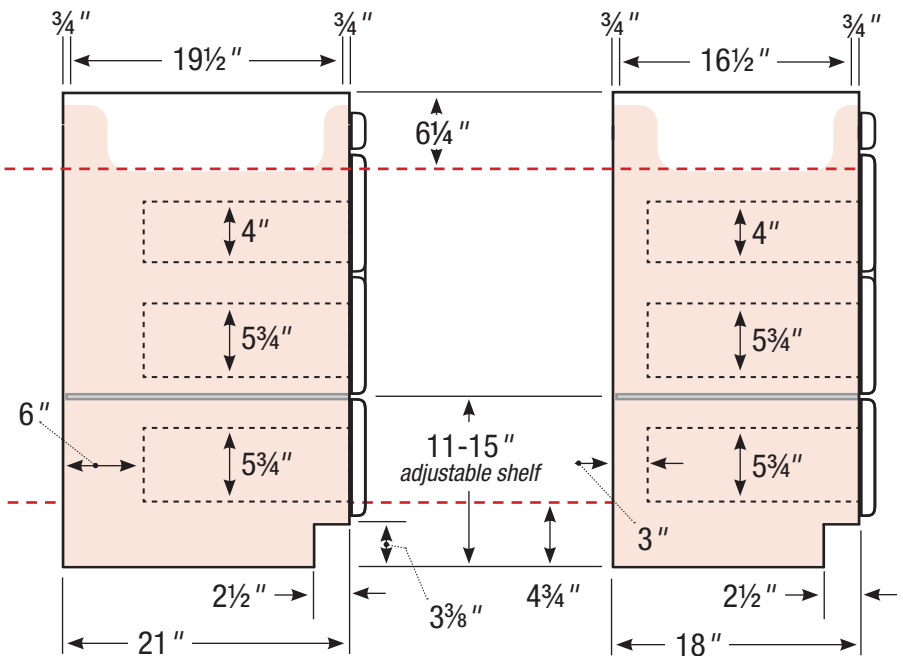
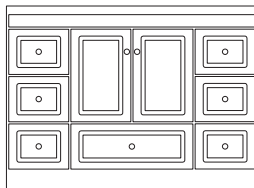


Basin placement range varies with brand and model. Shown is for Kohler 2210.

Internal Dividers ■■■■■■

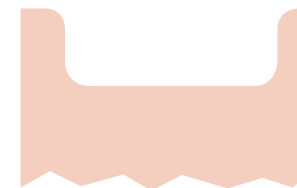
### 48" Vanity

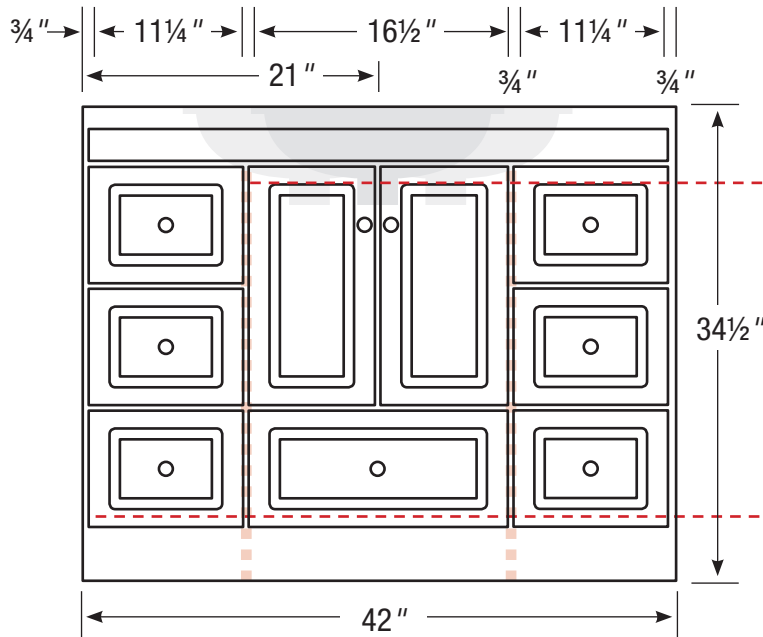
48" wide  
 34½" tall  
 21" or 18" front-to-back



21" or 18" front-to-back option

Internal Dividers



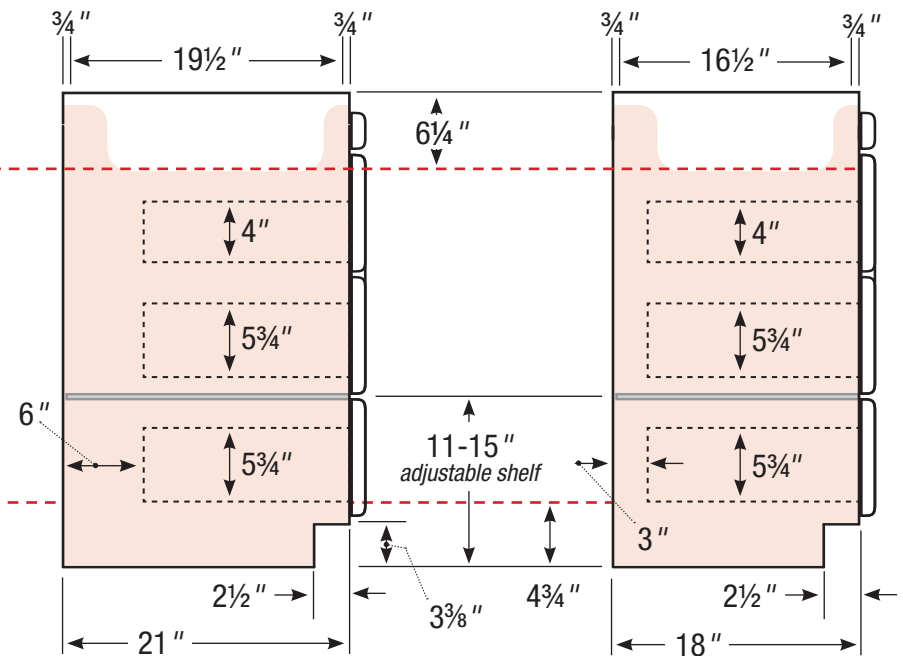
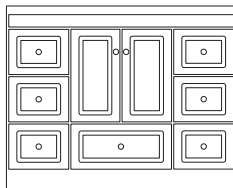


Basin placement range varies with brand and model.  
 Shown is for Kohler 2210.

Internal Dividers ■■■■■■

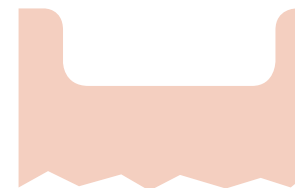
### 42" Vanity

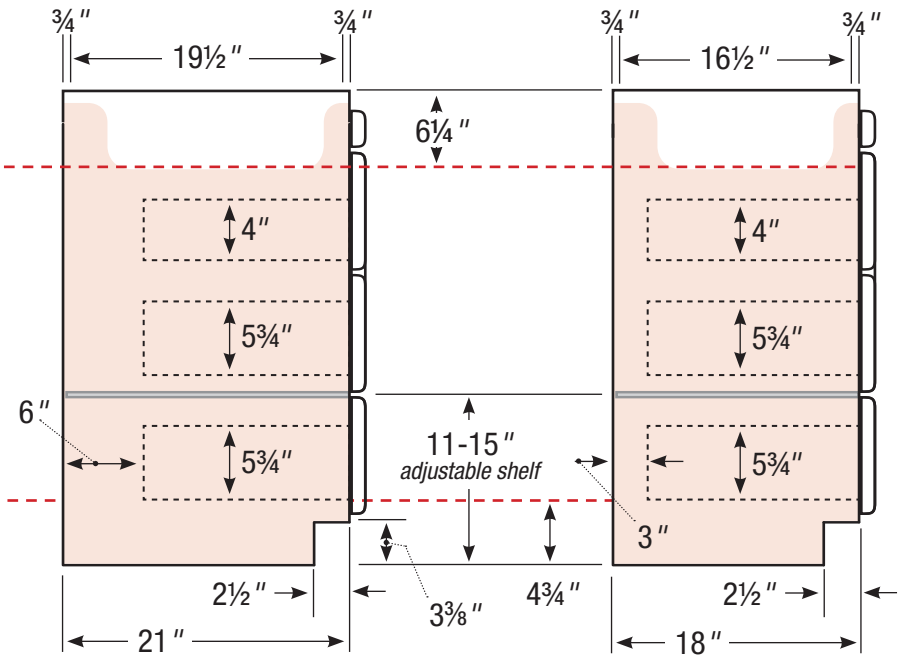
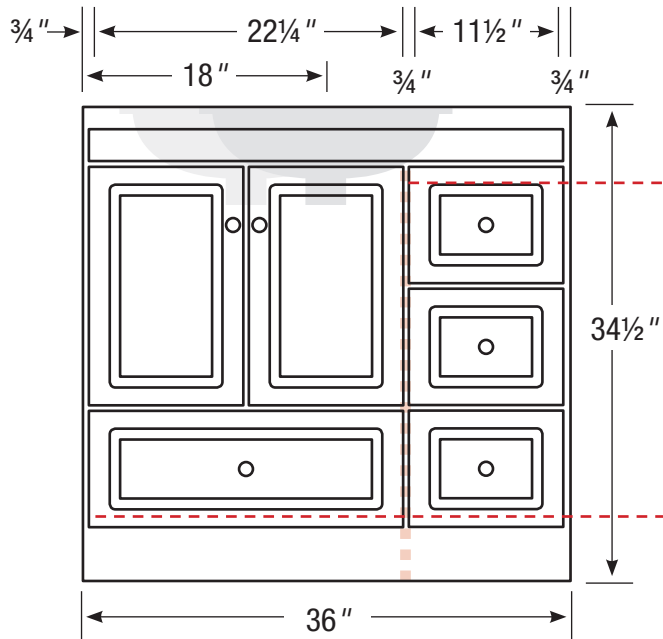
42" wide  
 34 1/2" tall  
 21" or 18" front-to-back



21" or 18" front-to-back option

Internal Dividers



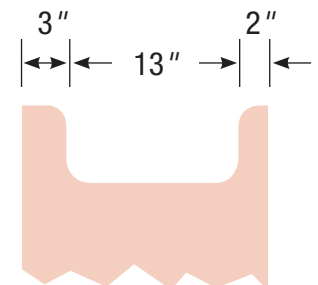
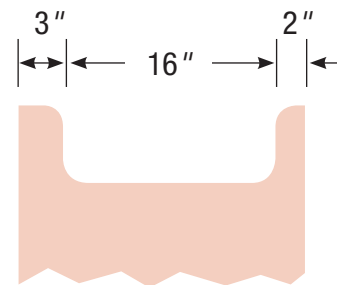
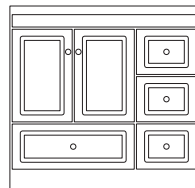


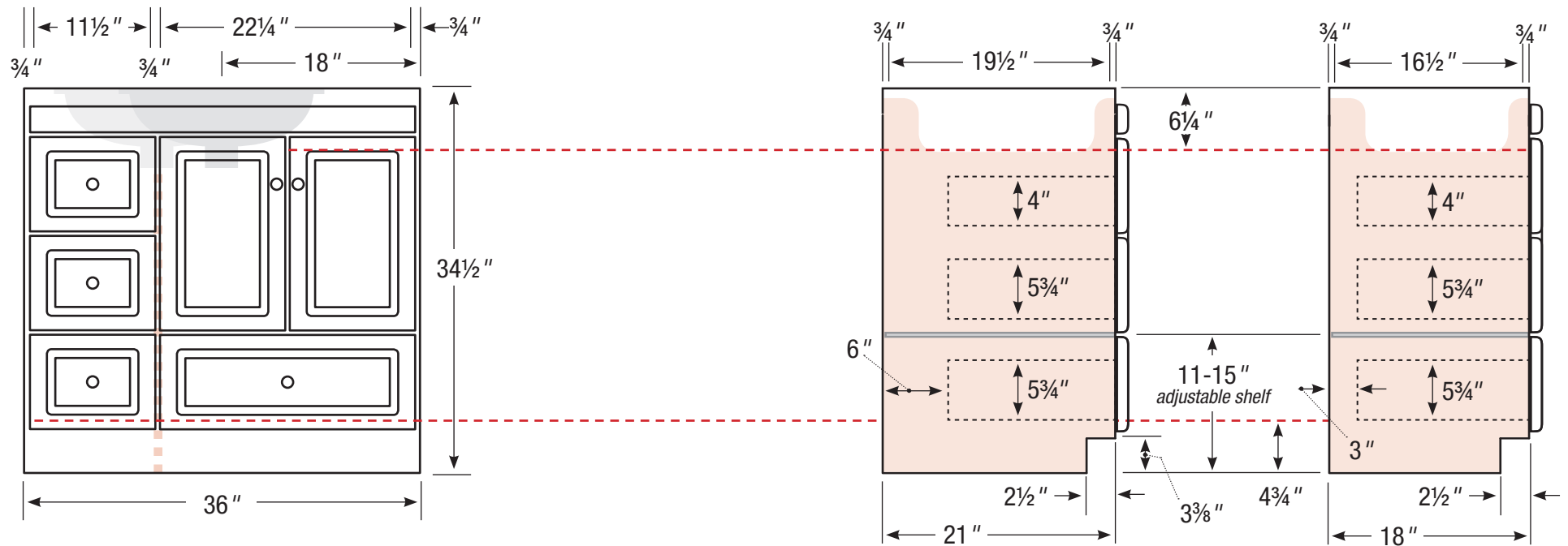
Basin placement range varies with brand and model.  
Shown is for Kohler 2210.

Internal Dividers ■■■■■■

**36" Vanity**

Right Hand or Left Hand Drawers  
36" wide  
34 1/2" tall  
21" or 18" front-to-back



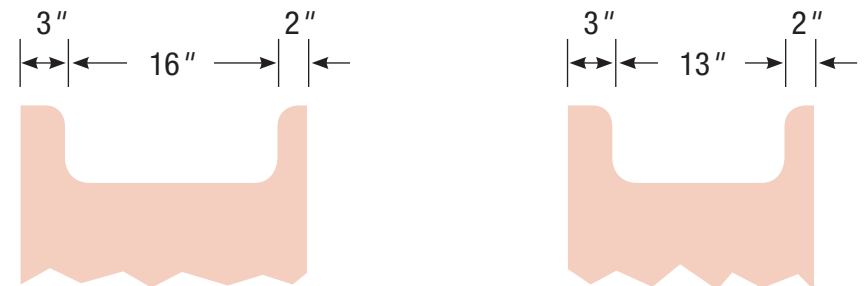
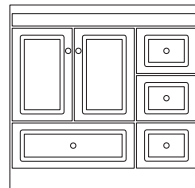


Basin placement range varies with brand and model.  
 Shown is for Kohler 2210.

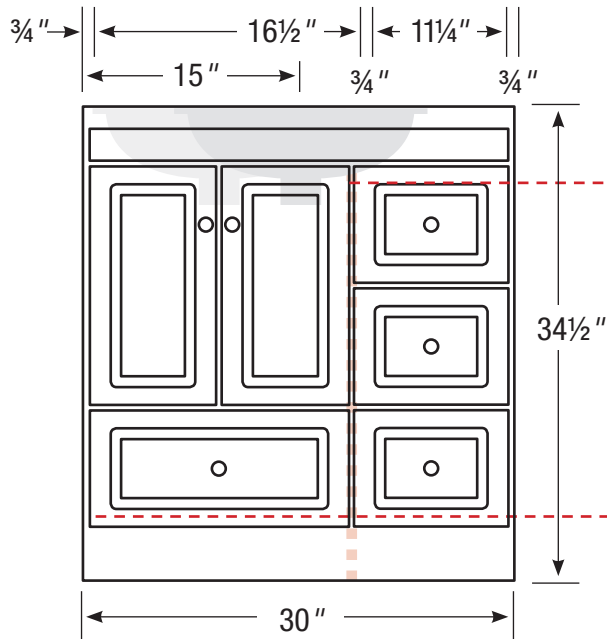
Internal Dividers ■■■■■■

### 36" Vanity

Right Hand or Left Hand Drawers  
 36" wide  
 34 1/2" tall  
 21" or 18" front-to-back





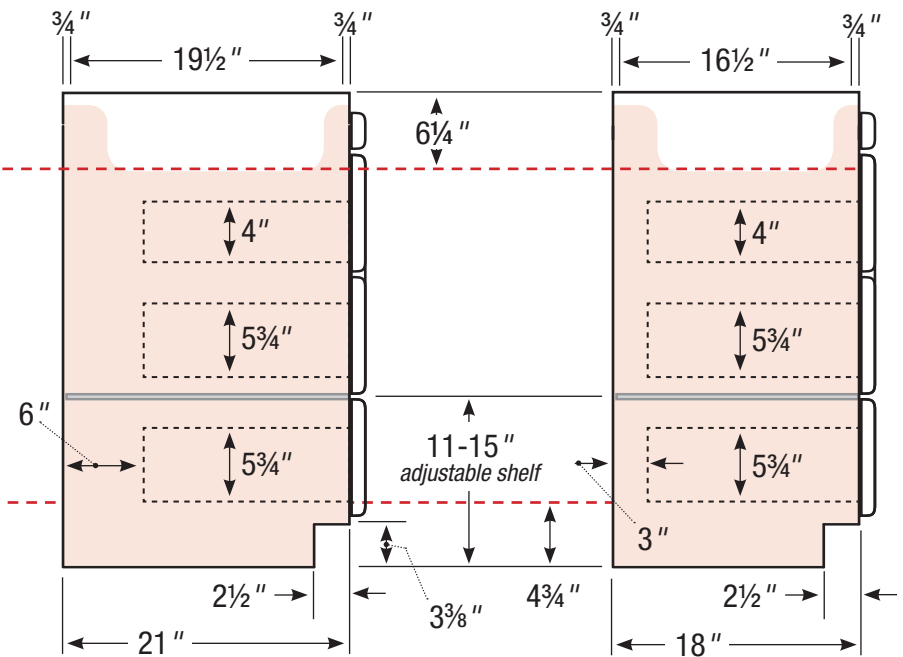
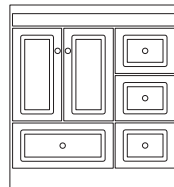


Basin placement range varies with brand and model.  
Shown is for Kohler 2210.

Internal Dividers ■■■■■■

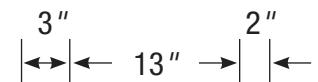
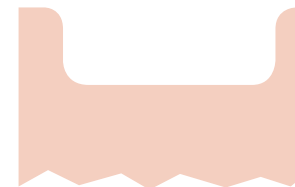
**30" Vanity**

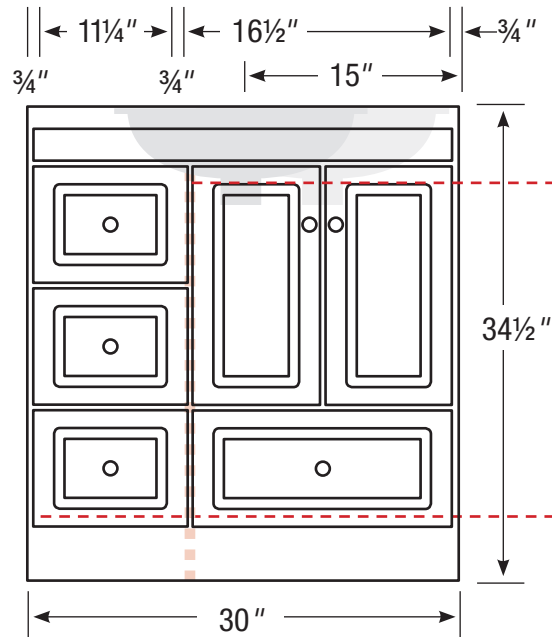
Right Hand or Left Hand Drawers  
30" wide  
34 1/2" tall  
21" or 18" front-to-back



21" or 18" front-to-back option

Internal Dividers



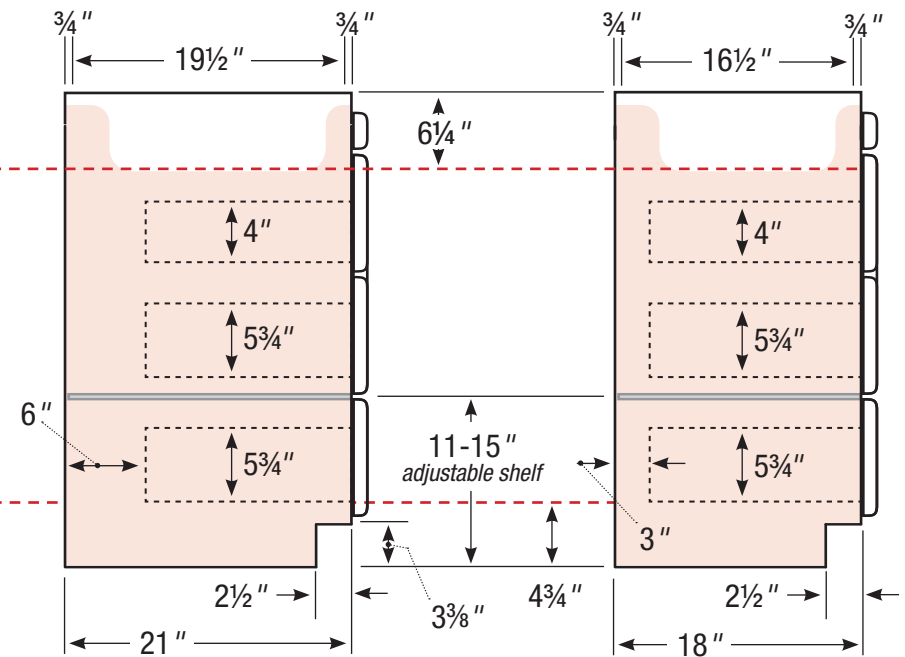
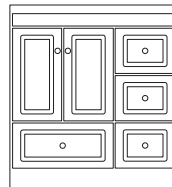


Basin placement range varies with brand and model.  
 Shown is for Kohler 2210.

Internal Dividers ■■■■■■

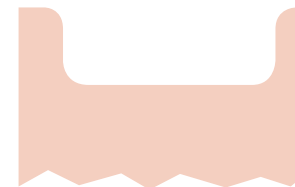
### 30" Vanity

Right Hand or Left Hand Drawers  
 30" wide  
 34 1/2" tall  
 21" or 18" front-to-back

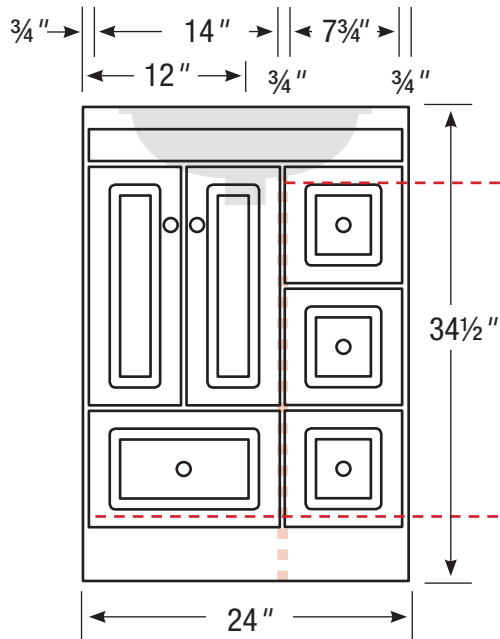


21" or 18" front-to-back option

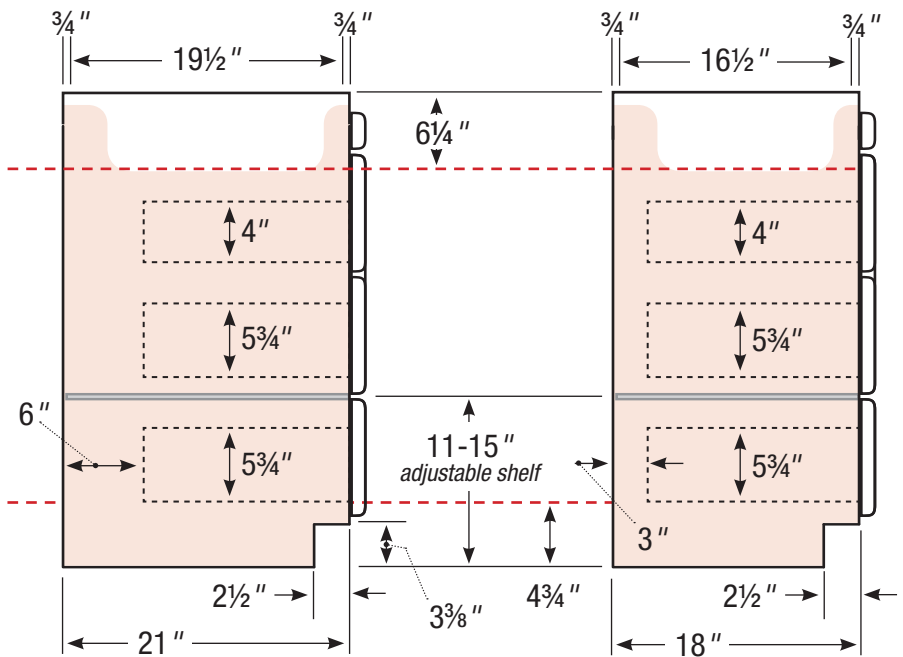
Internal Dividers







Basin placement range varies with brand and model.  
 Shown is for Kohler 2210.



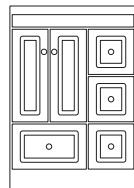
21" or 18" front-to-back option

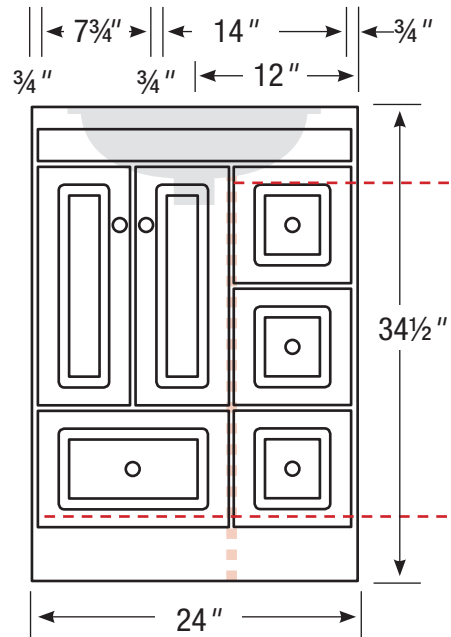
### Internal Dividers



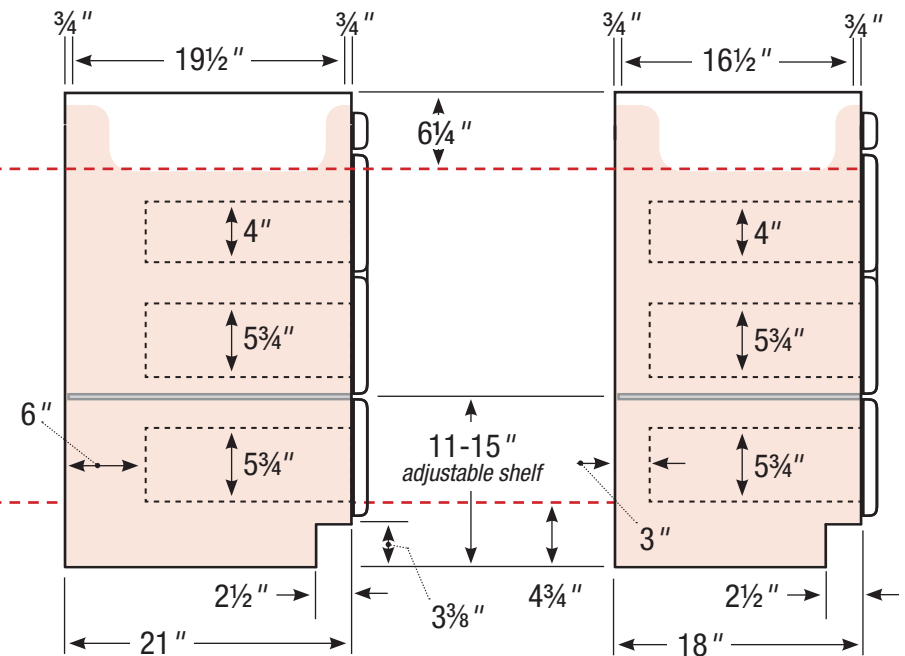
### 24" Vanity

Right Hand or Left Hand Drawers  
 24" wide  
 34 1/2" tall (*not avail. 32" tall*)  
 21" or 18" front-to-back





Basin placement range varies with brand and model.  
 Shown is for Kohler 2210.



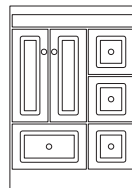
21" or 18" front-to-back option

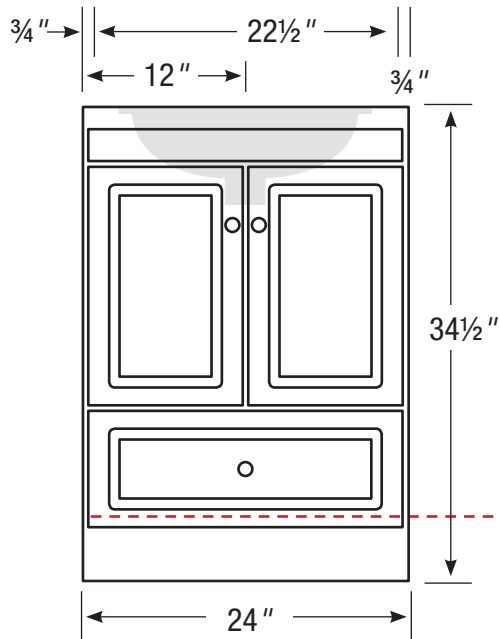
**Internal Dividers**



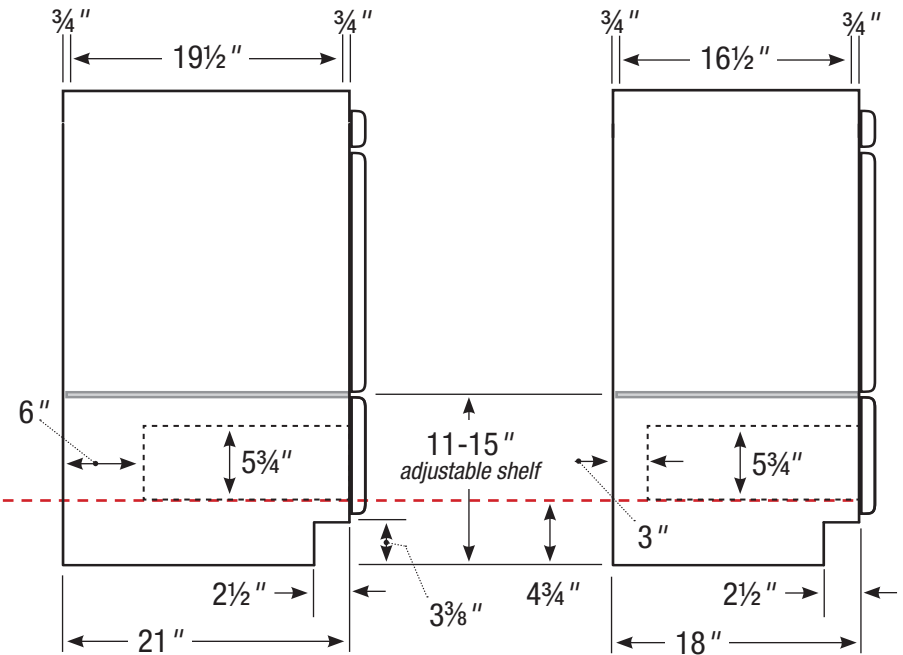
**24" Vanity**

Right Hand or Left Hand Drawers  
 24" wide  
 34 1/2" tall (*not avail. 32" tall*)  
 21" or 18" front-to-back





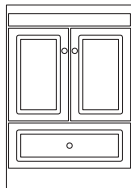
Basin placement range varies with brand and model. Shown is for Kohler 2210.

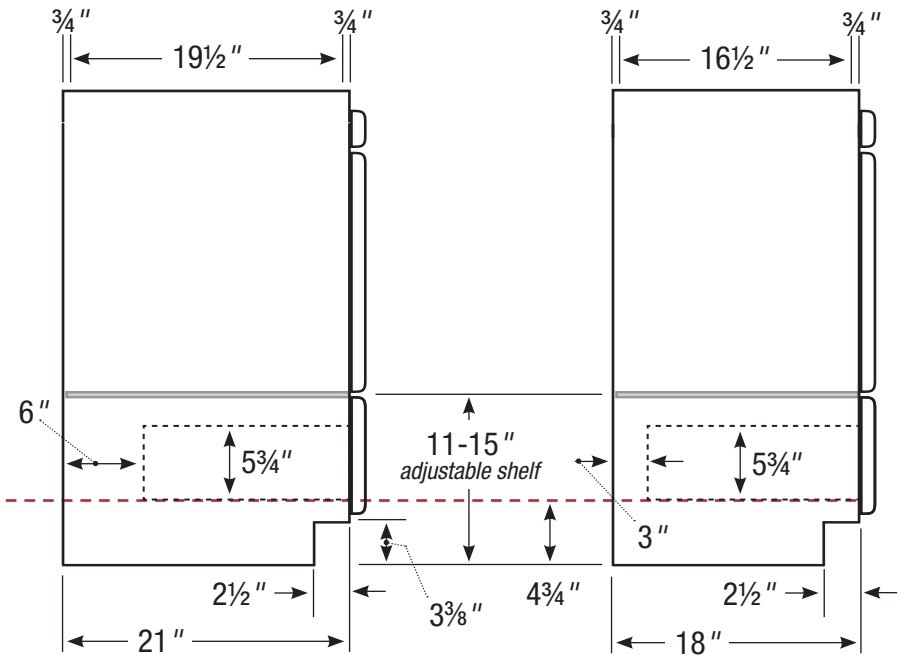
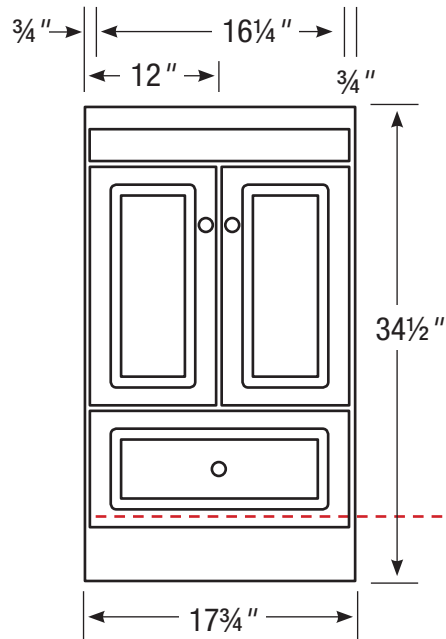


21" or 18" front-to-back option

**24" Vanity / Linen Lower**

24" wide  
34 1/2" tall  
21" or 18" front-to-back

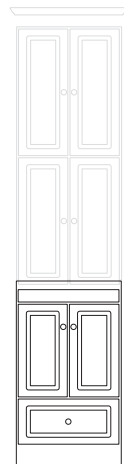
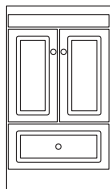


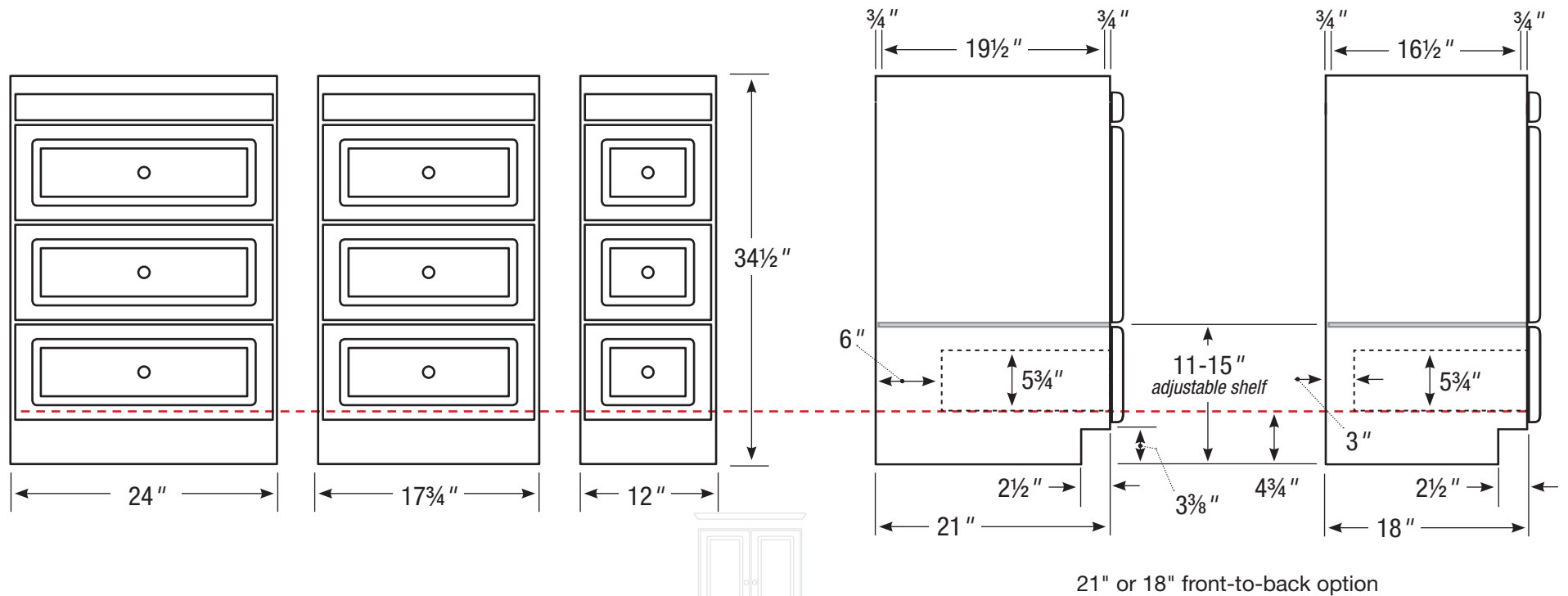


21" or 18" front-to-back option

**18" Vanity / Linen Lower**

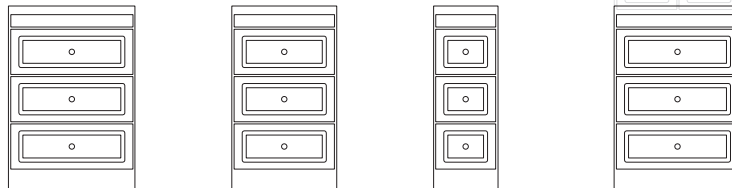
17 3/4" wide  
34 1/2" tall  
21" or 18" front-to-back

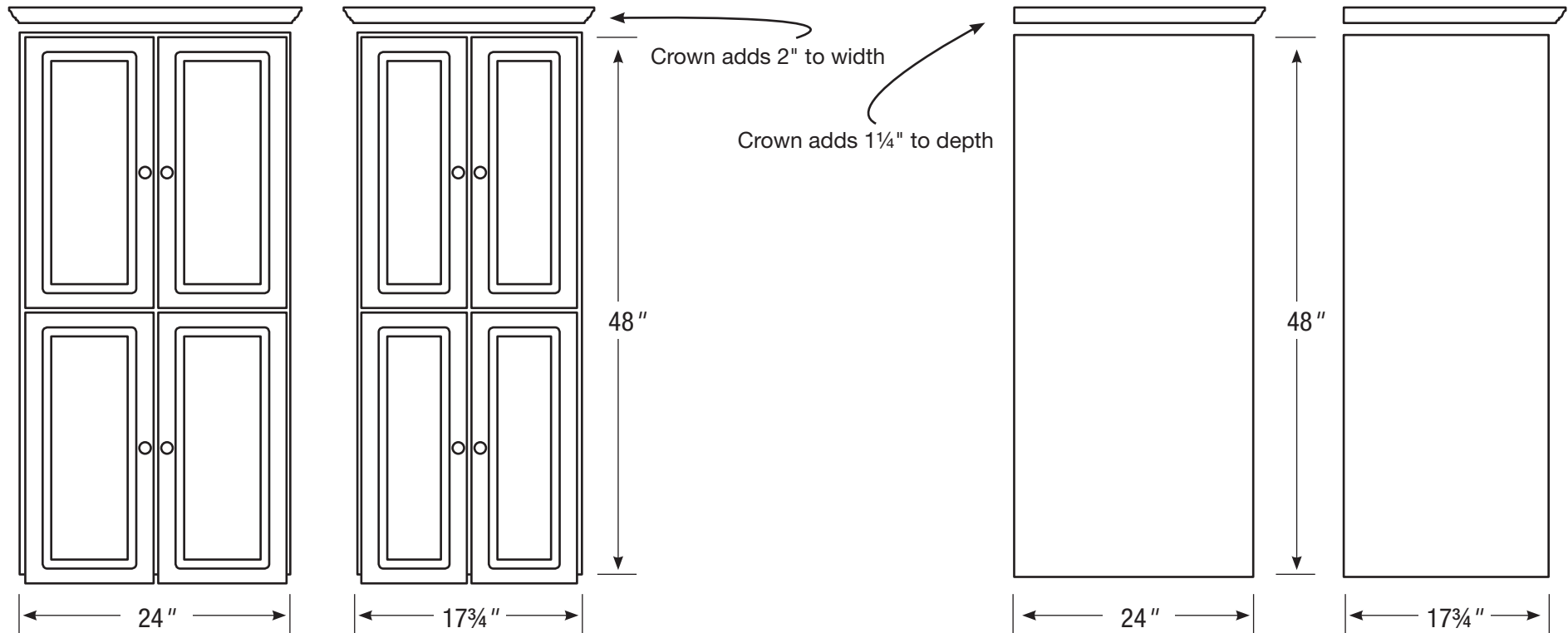




**24" & 18" Drawer Banks / Linen Lower; 12" Drawer Bank**

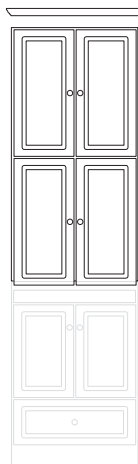
24", 17 3/4", 12" wide  
34 1/2" tall  
21" or 18" front-to-back





**24" Linen Upper**

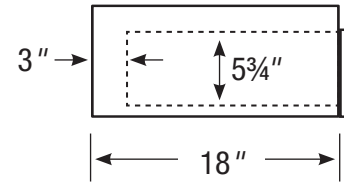
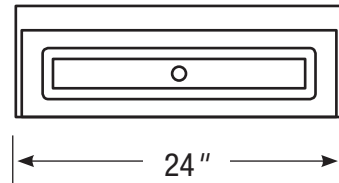
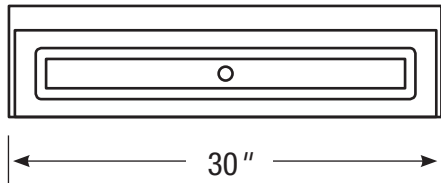
24" wide  
48" tall  
21" or 18" front-to-back



**18" Linen Upper**

17 3/4" wide  
48" tall  
21" or 18" front-to-back





**30" or 24" Knee Drawers**

30" or 24" wide

8" tall

18" front-to-back

(to fit either 21" or 18" deep sets)

