

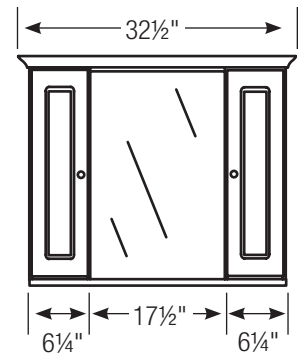
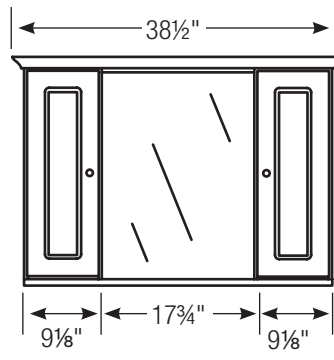
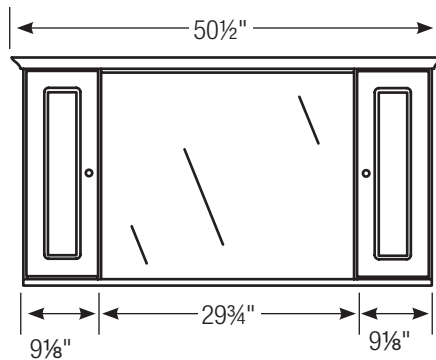
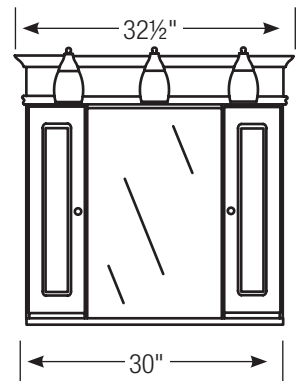
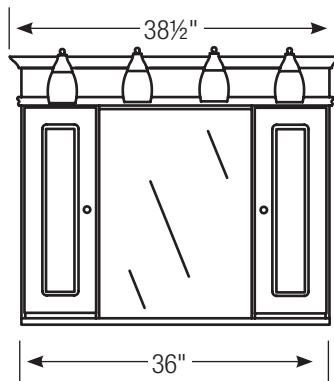
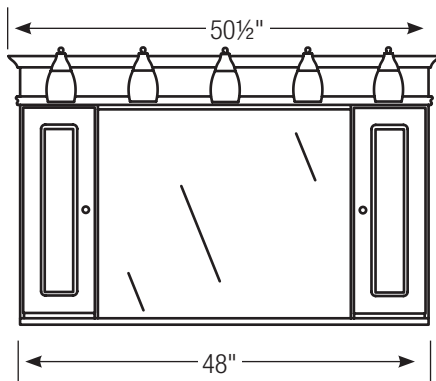
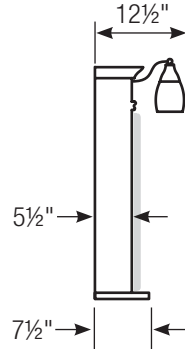


48", 36" & 30" 2-Door, Fixed Center Mirror, Medicine Cabinets

50½", 38½" or 32½" Wide Overall (w/Crown)

With Lights: 31" High, 12½" Deep

Without Lights: 27" High, 7½" Deep

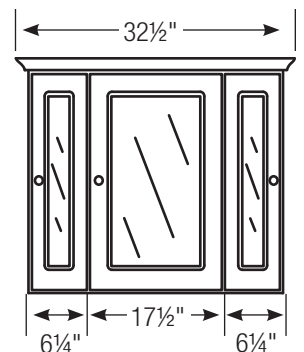
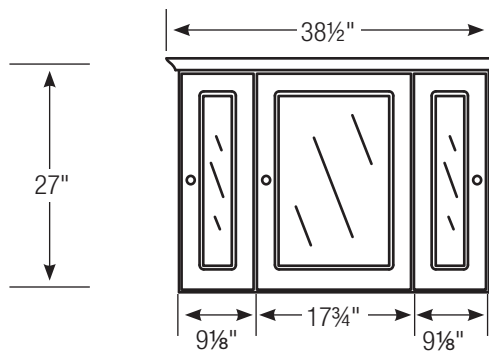
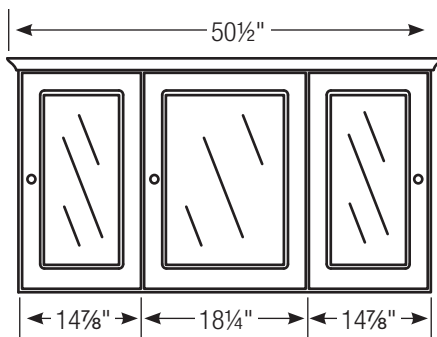
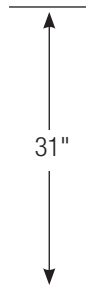
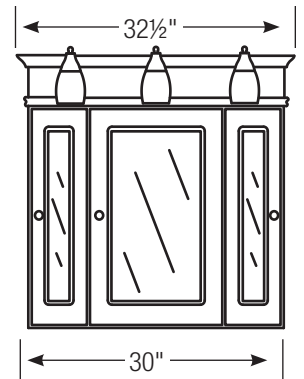
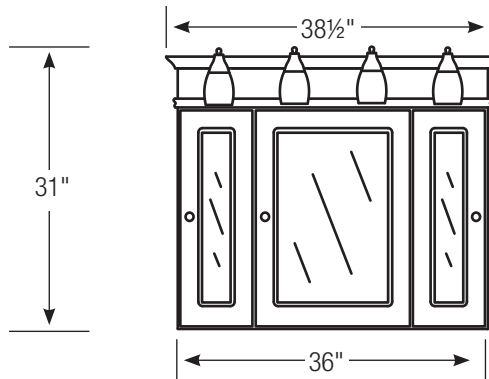
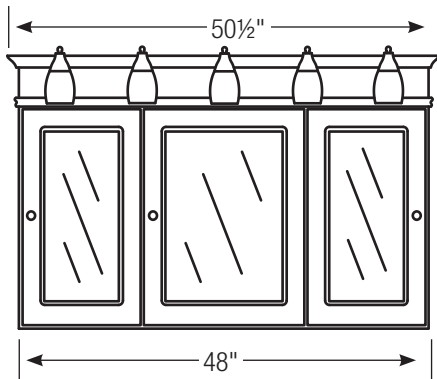
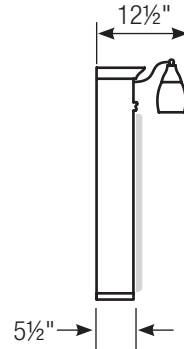


48", 36" & 30" Tri-View
Medicine Cabinets

50½", 38½" or 32½" Wide Overall (w/Crown)

With Lights: 31" High, 12½" Deep

Without Lights: 27" High, 5½" Deep

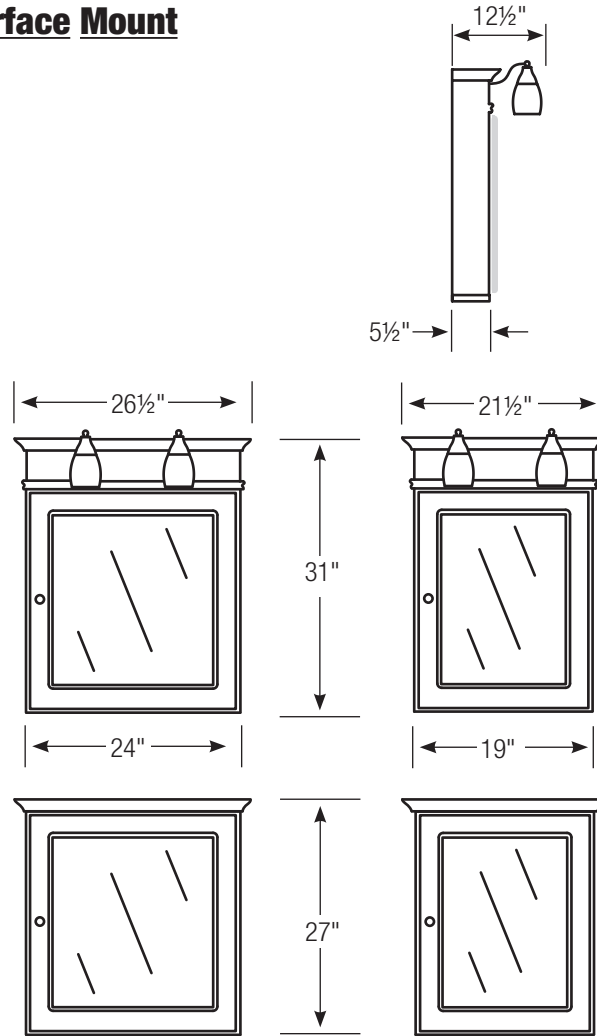


24" & 19" Single Door - Surface Mount
Medicine Cabinets

26½" or 21½" Wide Overall (w/Crown)

With Lights: 31" High, 12½" Deep

Without Lights: 27" High, 5½" Deep



20" & 15¼" Single Door - Recessed
Medicine Cabinets

31" High Overall

