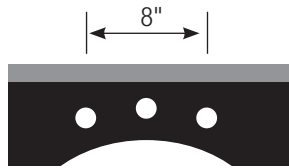




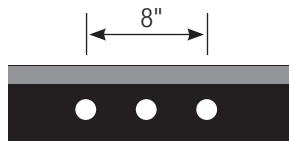
Signature Vanity Tops with backsplash and two side splashes

Tops are 3cm (approx. 1¼") thick. Back- and side- splashes 3cm (approx. 1¼") thick and 4" tall.
Faucet holes: 1⅝" diameter. Drain holes: 1¼" diameter.

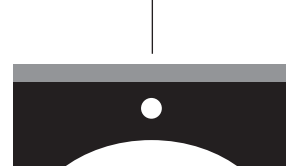
Oval basin curved 3-hole



Rect. basin 3-hole



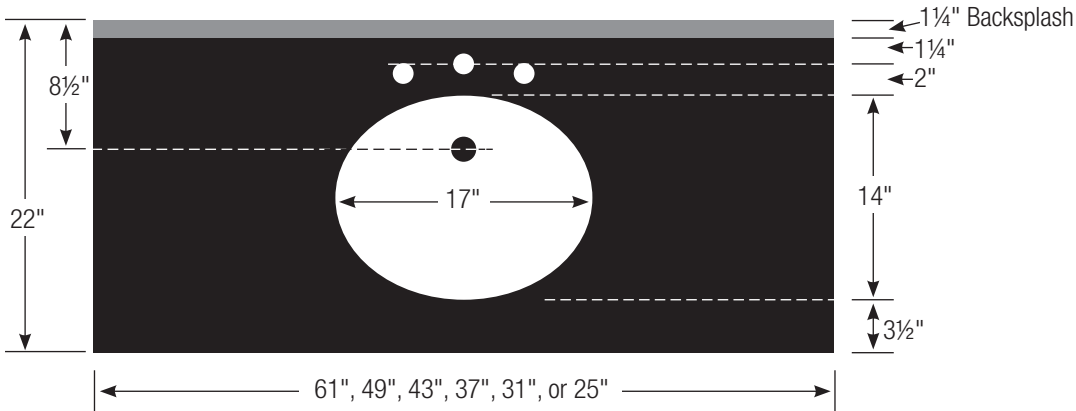
Oval basin 1-hole



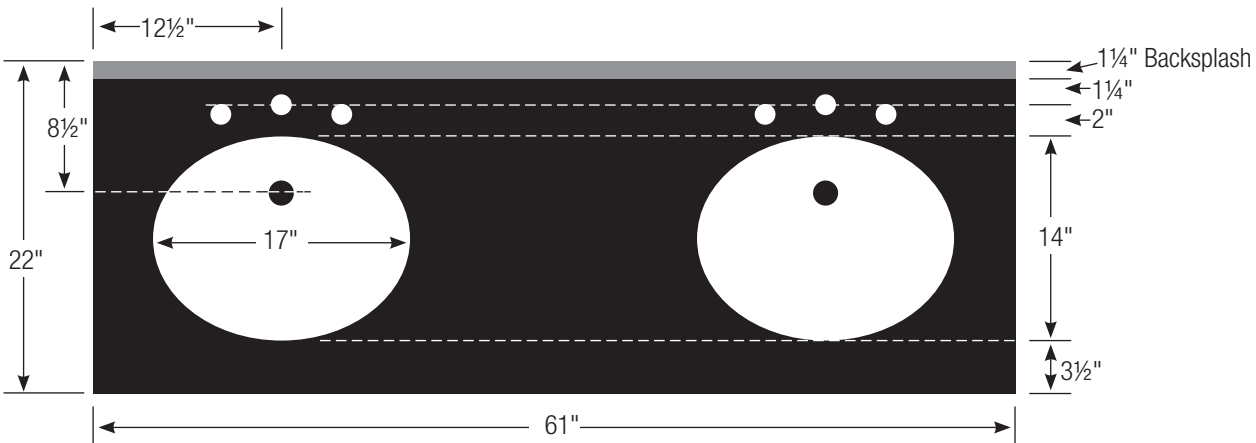
Rect. basin 1-hole



22" deep tops with single oval basins, all widths

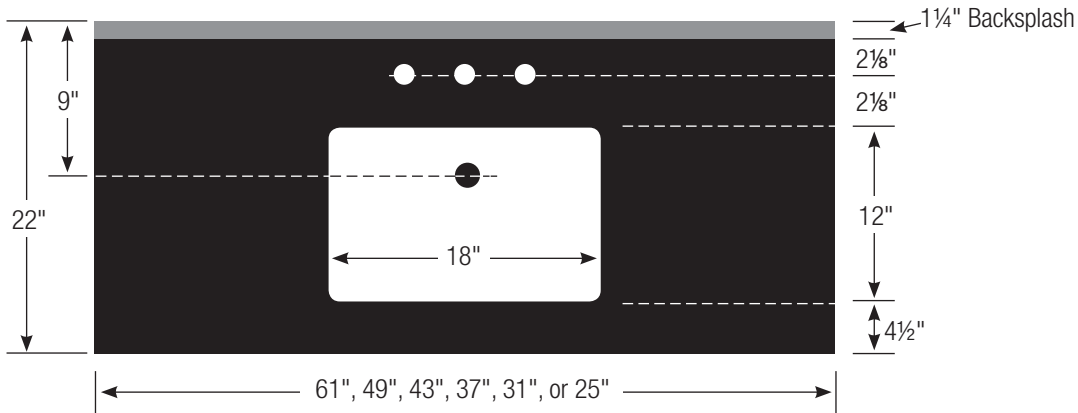


22" deep tops with double oval basins, 61" wide

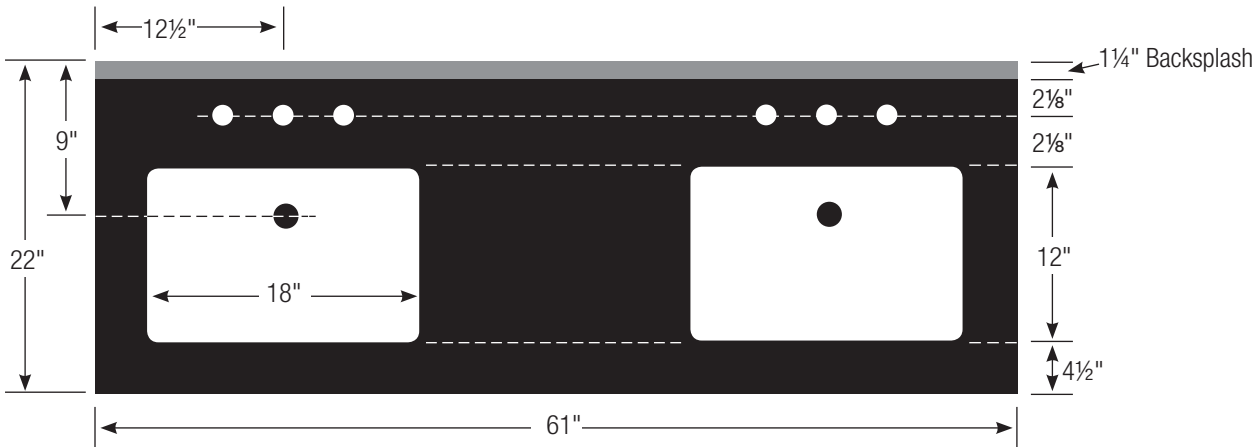




22" deep tops with single rectangular basins, all widths



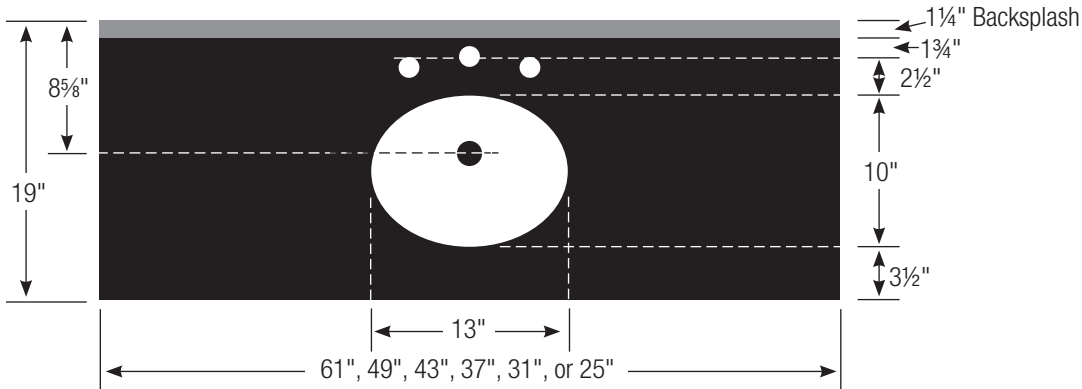
22" deep tops with double rectangular basins, 61" wide



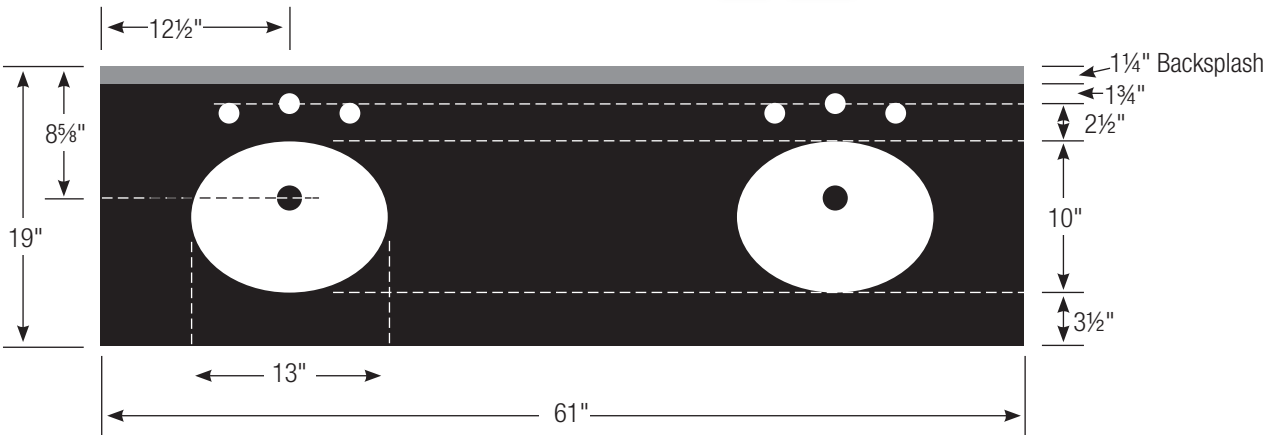
*See last page
for undermount basin
specifications*



19" deep tops with single oval basins, all widths



19" deep tops with double oval basins, 61" wide



19" deep tops with rectangular basins are not available

*See last page
for undermount basin
specifications*



UNDERMOUNT BASIN SPECIFICATIONS

22" deep tops with single or double oval basins

Inside dimensions: 17 $\frac{1}{4}$ " X 14 $\frac{1}{4}$ "

Outside dimensions: 19 $\frac{3}{8}$ " X 16"

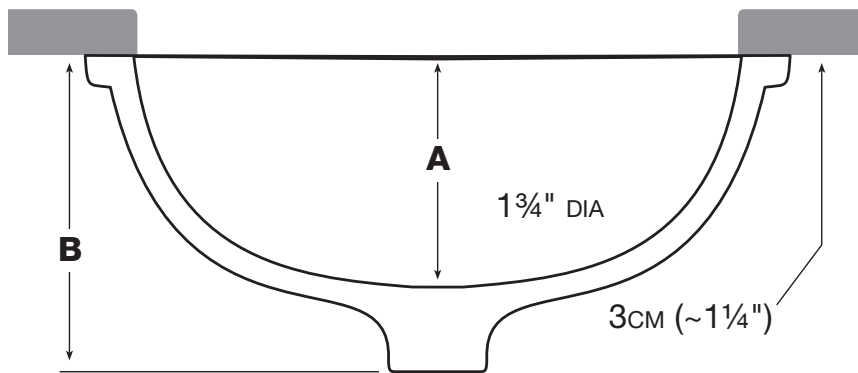
A=6 $\frac{1}{4}$ " B=8 $\frac{1}{4}$ "

19" deep tops with single oval basins

Inside dimensions: 13" X 10"

Outside dimensions: 15" X 12"

A=5" B=7"



22" deep tops with single or double rectangular basins

Inside dimensions: 18 $\frac{1}{4}$ " X 12 $\frac{1}{4}$ "

Outside dimensions: 20 $\frac{3}{4}$ " X 14 $\frac{1}{2}$ "

A=6 $\frac{1}{4}$ " B=8 $\frac{1}{4}$ "

19" deep tops with rectangular basins are not available

